



ROLLY

890.01

CE

Regulation (EU)
2017/745

EN

WWW.KONG.IT



Download the digital version

TABLE OF CONTENTS

1 - SYMBOLS AND SUPPORT	4
1.1 Symbols	4
1.2 Support	4
2 - GENERAL INFORMATION	5
3 - TECHNICAL FEATURES	6
3.1 Terminology and materials of the parts	6
3.2 Technical data	8
3.3 Optional components and spare parts	9
4 - SPECIFIC INFORMATION	10
4.1 Intended use	10
4.2 Preparation	10
4.3 Setup	11
4.4 Blocking the patient	16
4.5 Transporting the patient	18
5 - MAINTENANCE AND REPAIRS	20
5.1 General	20
5.2 Maintenance	20
5.3 Repair	20
6 - STORAGE	21
7 - CHECKS, INSPECTIONS AND SERVICING	22
7.1 Checks	22
7.2 Inspections	22
7.3 Servicing	22
8 - PRODUCT LIFE AND GUARANTEE	23
8.1 Product life	23
8.2 Disposal	23
8.3 Guarantee	23
8.4 Law obligations	23
9 - LABELLING AND SYMBOLS	24
9.1 Medical device label	24
9.2 Symbols	24
10 - DOCUMENTS	25
10.1 Inspections and servicing register	25
10.2 Maintenance and repair register	26
10.3 EU Declaration of conformity	27
11 - LIST OF APPLIED STANDARDS AND REFERENCE	28
11.1 Applied standards	28
11.2 Standards used as reference	29

1.1 SYMBOLS

To make reading this manual comfortable and clear, the following are the symbols used to manage important warnings, for correct and safe use of the device.



REQUISITE FOR CORRECT USE

It identifies the presence of information required to use the device correctly.



INFORMATIVE REQUISITE

It identifies the presence of useful and general information, to guide the user to consciously use the device and/or carry out the actions.



It identifies that the Medical Device is manufactured, designed and produced in compliance with the provisions of the General Safety and Performance Requirements of Regulation (EU) 2017/745 (Class I medical device, in compliance with classification rule 1 as indicated in the attachment VIII).

1.2 SUPPORT

For information, contact Kong Customer Service by:

- telephone +39 0341 630506,
- fax +39 0341 641550,
- email: safetycare@kong.it,

or write to KONG S.p.A. – Via XXV Aprile, 4 – 23804 Monte Marenzo LC - ITALY.

To facilitate assistance operations, always communicate or indicate the serial number (SN) indicated on the label applied to the Medical Device.

CHAPTER 2

2 GENERAL INFORMATION

The information provided by the manufacturer (hereinafter referred to as information) must be read and clearly understood by the user prior to using the Medical Device (MD hereafter). The information regards the description of the features, performance, assembly, disassembly, maintenance, preservation, disinfection, etc. of the device. Even though the information offers tips on use, this information shall not be considered as a user manual under actual conditions of use.



WARNINGS AND LIMITATIONS OF USE:

- this device shall be strictly used by people who are physically fit, trained (instructed and taught) to use the device and with specific experience regarding moving the patient or, during training activities, by people under direct supervision of the trainers/ supervisors who guarantee the safety thereof,
- do not use the device before fully reading and understanding this user manual,
- strictly follow the manufacturer's information, improper use of the device is hazardous,
- modifying and/or repairing the device is strictly forbidden,
- all checks described in chapter 7 must be carried out prior to and after using the device. In case of any doubt on the efficiency of the device, the user must replace it immediately,
- non-compliant use, deformations, falls, wear, chemical contamination, exposing textile/plastic components/devices to temperature below -30°C or above $+50^{\circ}\text{C}$ and metal components/devices to

temperatures exceeding 100°C are some examples of causes that can reduce, limit and end the life of the device,

- Prior to any rescue operation, be keen not to exceed the load capacity indicated in paragraph 3.2.2,
- in order to reduce risks of exposure to / transmission of infectious diseases, clean and disinfect the device as indicated in chapter 5,
- improper use of the patient immobilisation systems can jeopardise the safety of the patient,
- always check the compatibility of the devices used alongside the device by consulting the relative manufacturer's information,
- use of spare parts or optional components different from the ones indicated in paragraph 3.3 can be hazardous,
- do not expose the device to sources of heat and at contact with chemical substances. Reduce exposure to direct sunlight as much as possible. At low temperatures and in the presence of humidity, formation of ice could reduce flexibility and increase cutting and abrasion-related risks on textile and synthetic devices.
- Report to the manufacturer and the competent authority of the member state where the user and / or patient is established any serious incident occurring in relation to the MD.

All our devices are tested/ checked piece by piece in compliance with the procedures laid down by the Quality System certified in accordance with the UNI EN ISO 9001 standard. Laboratory tests, testing, information and standards do not always reproduce the practical result. Thus, the results obtained under the actual conditions of use of the device may differ, even considerably at times. The best information lies in the continuous practical use under the supervision of skilled/expert/qualified people.



Warning: not suitable for use in an ATEX environment (Directive 94/9/CE)

CHAPTER 3

TECHNICAL FEATURES

3.1 TERMINOLOGY AND MATERIALS OF THE PARTS

- A - Support surface in high-density polyethylene
- B1 - Slings in polyester
- B2 - Slings in polyester
- C - Slings in polyester with eyelets
- D - Slings in polyester
- E - Sling in polyester
- F - Handles in polyester
- G - Hanging kit in high-tenacity polyester (G1 short part - G2 long part)
- H - Static rope
- I - Buckle with hook in aluminium alloy
- L - Buckle with hook in aluminium alloy
- M - Slings with eyelets
- N - Sling with ratchet
- O - Transport bag.

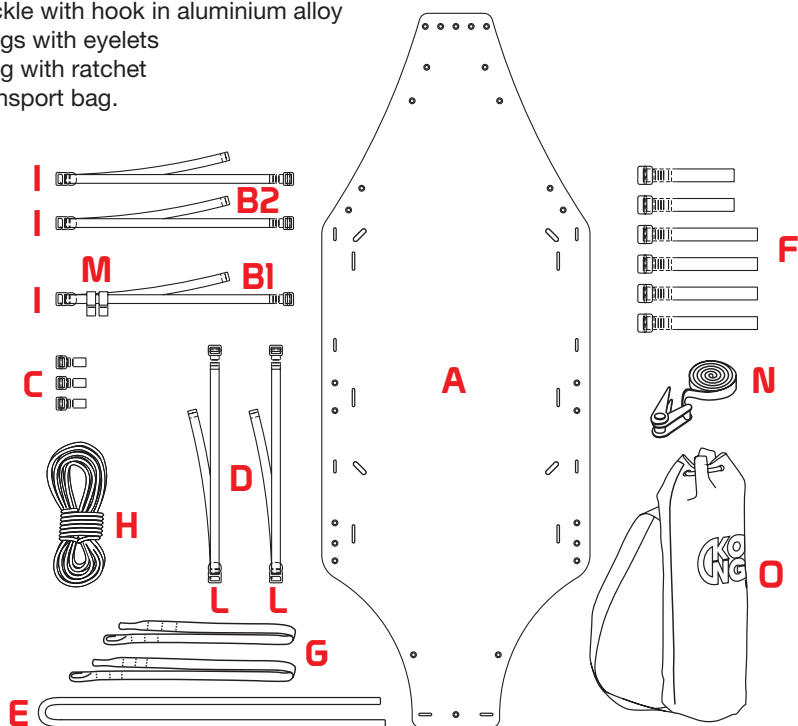


Fig.1

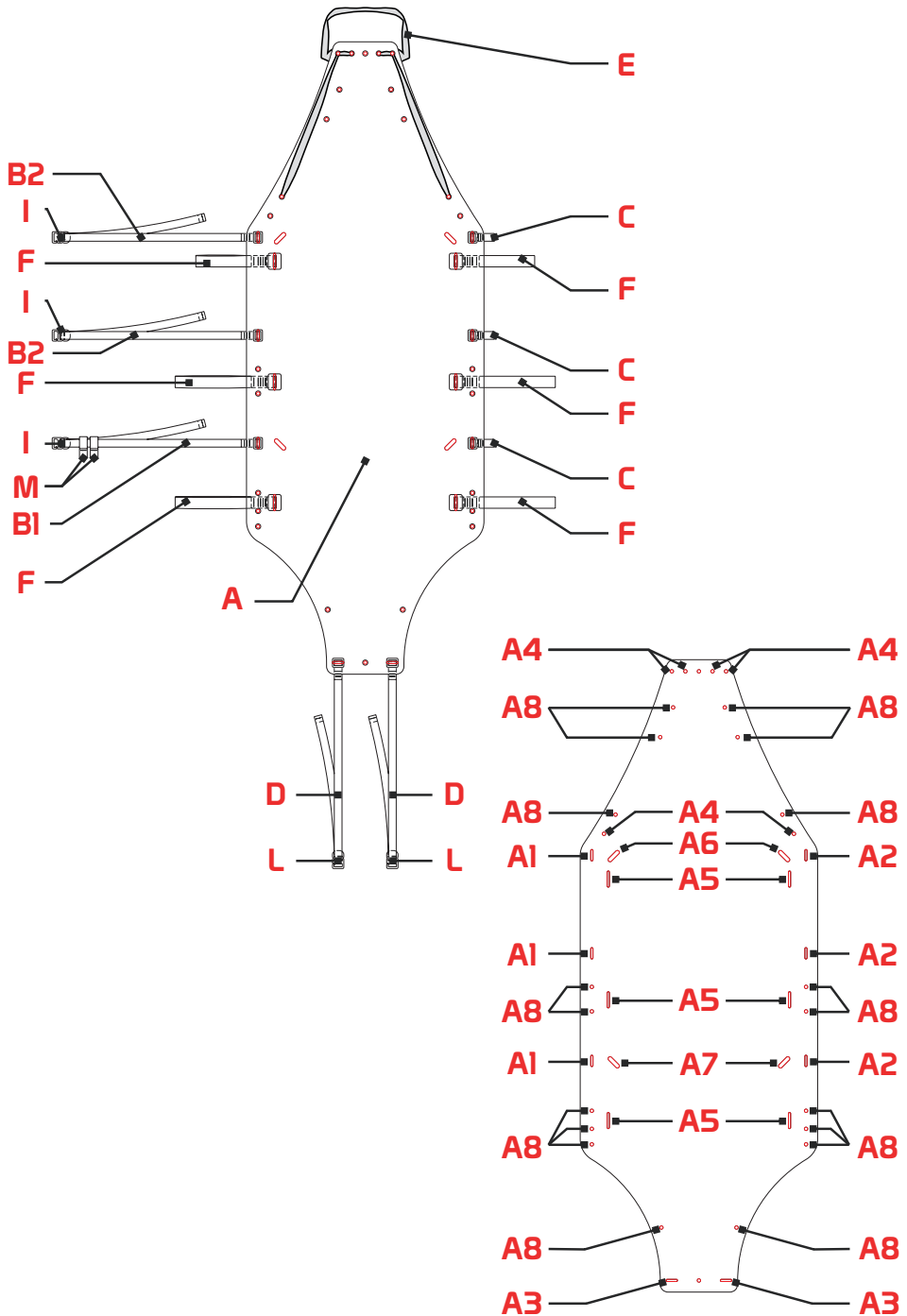


Fig.2

3.2 TECHNICAL DATA

3.2.1 Weight and dimensions

Length:	245 cm
Width:	92 cm
Rolled in the bag:	Ø 30 x 110 cm
Overell weight of the parts (fig. 1)	9 kg

3.2.2 Load capacity

Mode of use	Load capacity
Manual transport with the handles (F) (fig. 16):	250 kg
Lifting and lowering with rescue devices (fig. 17) with the hanging kit (G)	2100 kg
Vertical descent and recovery (fig 18) with the rope (H)	2400 kg
Hoisting and lowering with helicopters (fig. 17) with the hanging kit (G)	2100 kg

3.2.3 Buoyancy force

Mode of use	Buoyancy force
River transportation (fig. 4) with kit 880020300KK FLOK-IT	400 N



The safety factor shall be known and defined by the user.

3.3 OPTIONAL COMPONENTS AND SPARE PARTS

The methods of connection and use of the optional components are defined in the relative user instructions.

3.3.1 Optional components

880020300KK FLOK IT

Floating kit for stretchers, made of three cylinders of different lengths (2 side pieces of 1 m each and 1 piece head side of 0,4 m), each of one equipped with two fastening straps with quick release plastick buckles.

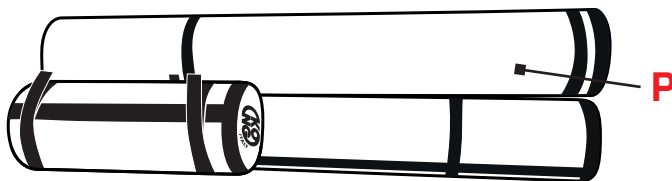


Fig.3

3.3.2 Spare Parts

- B1 - Slings in polyester
- B2 - Slings in polyester
- C - Slings in polyester with eyelets
- D - Slings in polyester
- E - Sling in polyester
- F - Handles in polyester
- G - Hanging kit in polyester high tenacity (G1 short part - G2 long part)
- H - Static rope
- N - Sling with ratchet
- O - Transport bag.

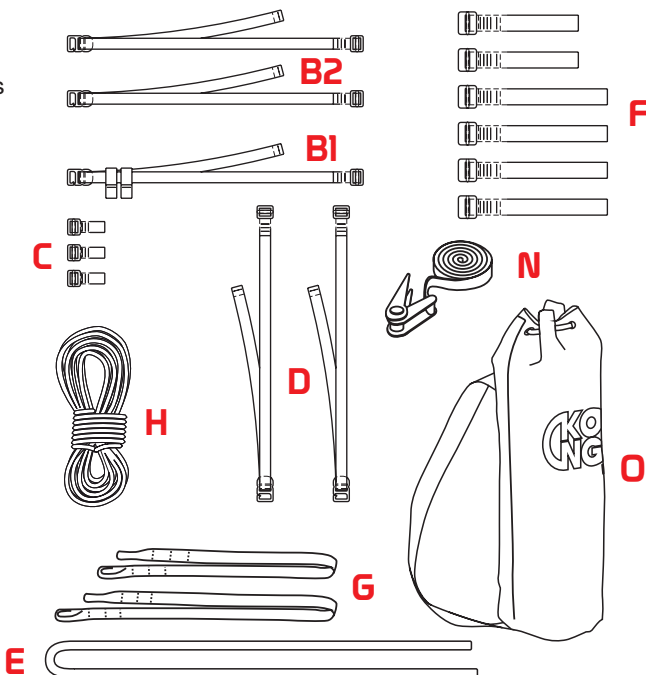


Fig.4

CHAPTER 4

SPECIFIC INFORMATION

4.1 INTENDED USE

The “**ROLLY**” rescue sheet is a MD that is particularly suited to recovering and transporting a patient - even immobilised on “**X-TRIM**” spinal boards or on the “**VACUUM**” mattresses, in a quick manner and in particularly difficult situations.

Decisions concerning moving and immobilising the patient, as well as the duration, method to be used and combination with other devices, shall be taken and executed by expert and trained personnel only.

The supplied hanging kit (G) makes it possible to use the “**ROLLY**” sheet with a winch.

4.2 PREPARATION

- Remove the “**ROLLY**” rescue sheet from the transport bag (O) and remove the ratchet sling (N)
- Distend the support surface (A) and flatten it, rolling the ends over in the opposite direction and folding the central section (fig. 5)

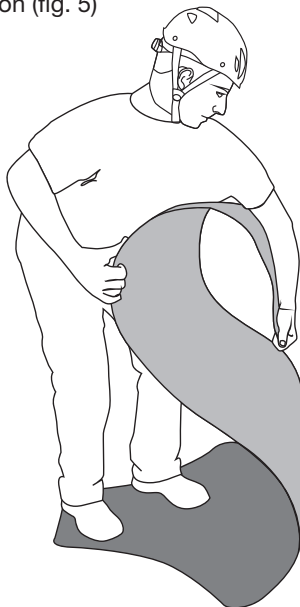


Fig. 5

4.3 SETUP

4.3.1 Setting up for blocking the patient

Prepare the following setup to block the patient:

- Insert the sling (E) in the A4 holes in the support surface (fig. 6).
- Insert the slings (B1 and B2) in the A1 eyelets in the support surface (fig. 7).
- Insert the slings with eyelets (C) in the A2 eyelets in the support surface (fig. 8).
- Insert the slings (D) in the A3 eyelets in the support surface (fig. 9).

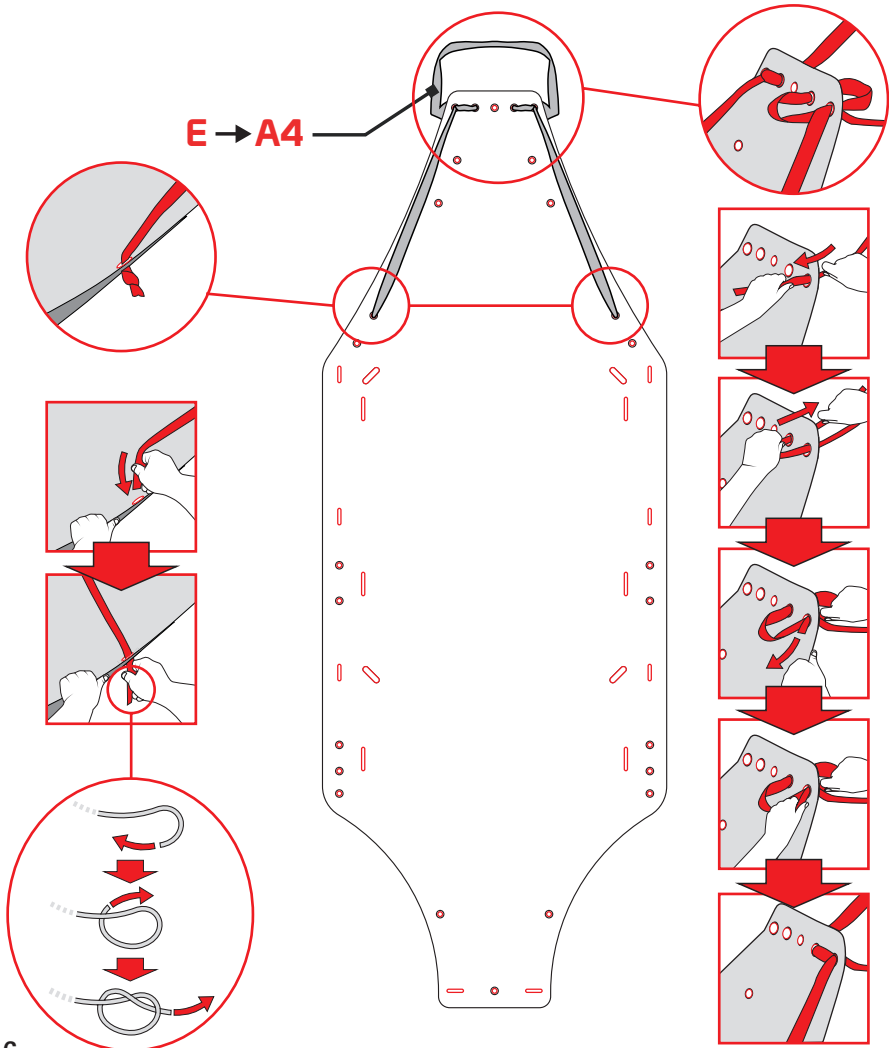


Fig.6

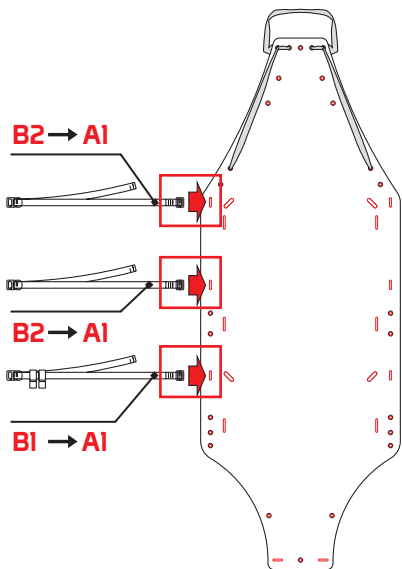


Fig.7

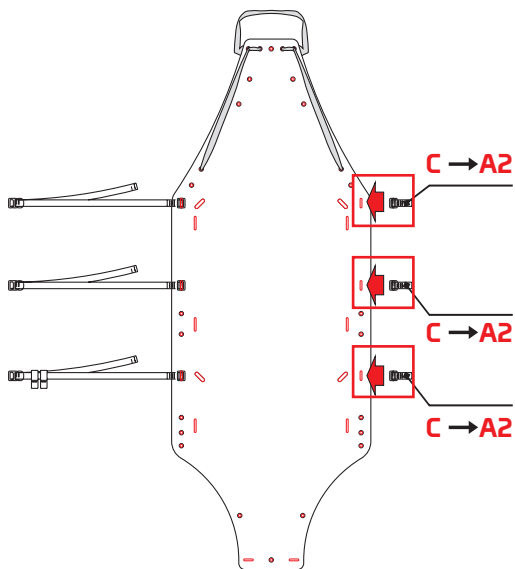


Fig.8

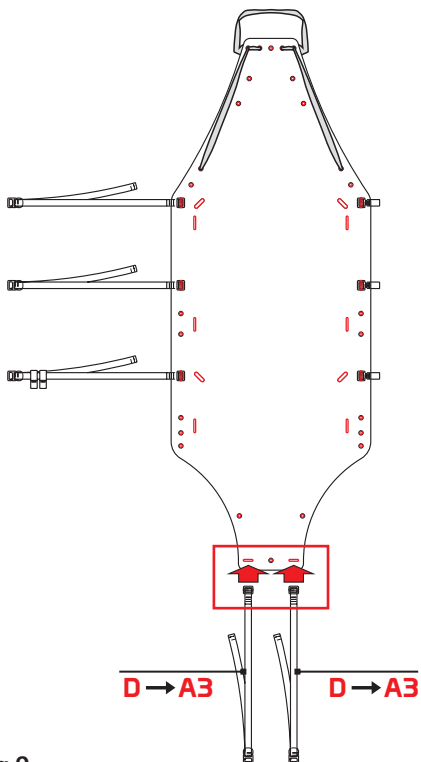
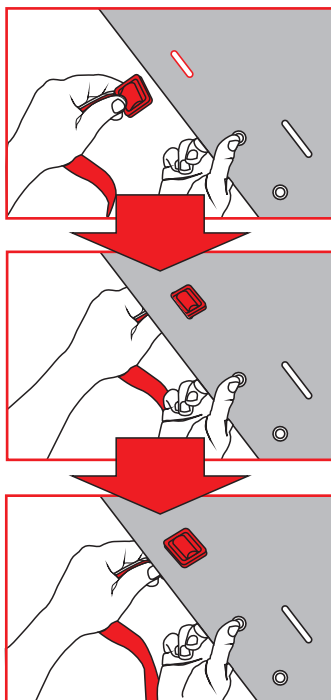


Fig.9



4.3.2 Setting up for moving the patient

In relation to the lifting and transport procedures, which the rescue workers considers suitable, set the stretcher up with at least one of the following parts:

a) manual transport: insert only the side handles (F) in the eyelets A5 on the support surface (fig. 10) - Please note: we suggest inserting the shortest couple of handles in the place near the torso of the patient, in order to keep the head higher than the feet.

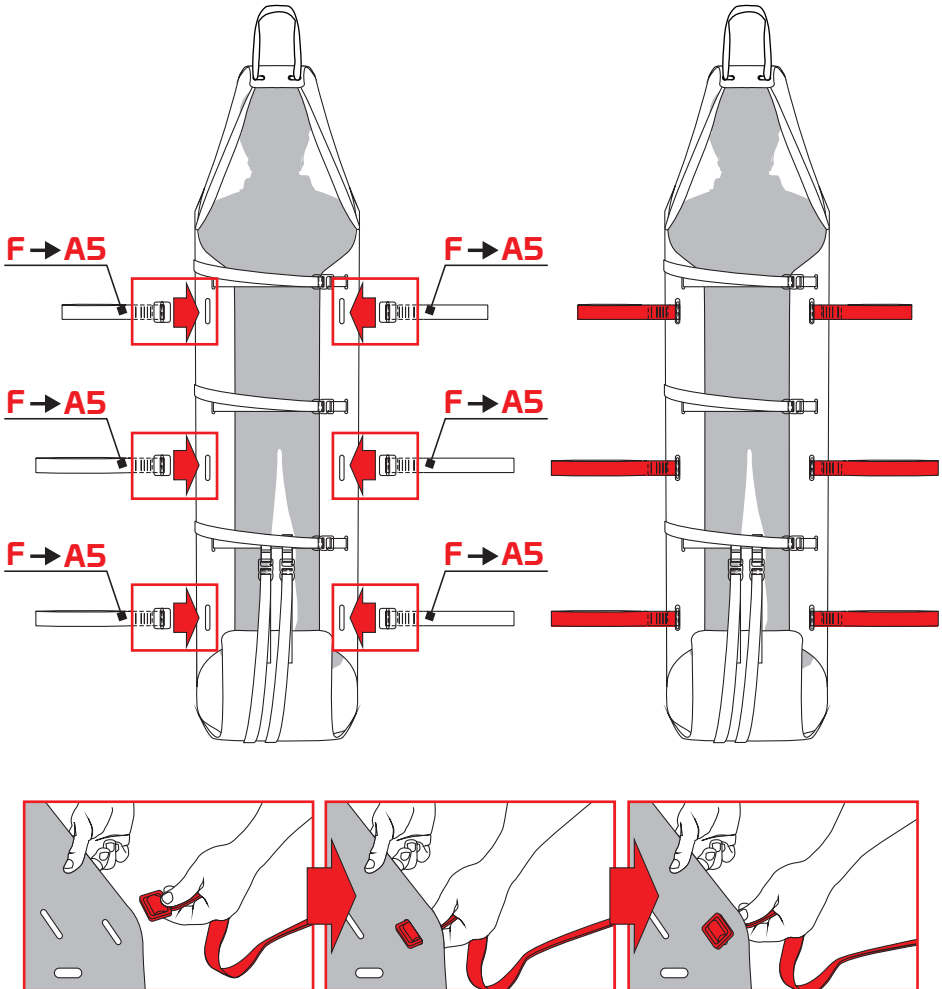


Fig.10

b) lifting/lowering and/or transportation using the lifting kit (G): insert the short hanging kit (G1) in the eyelets A6 and the long hanging kit (G2) in the eyelets A7 on the support surface (fig. 11).

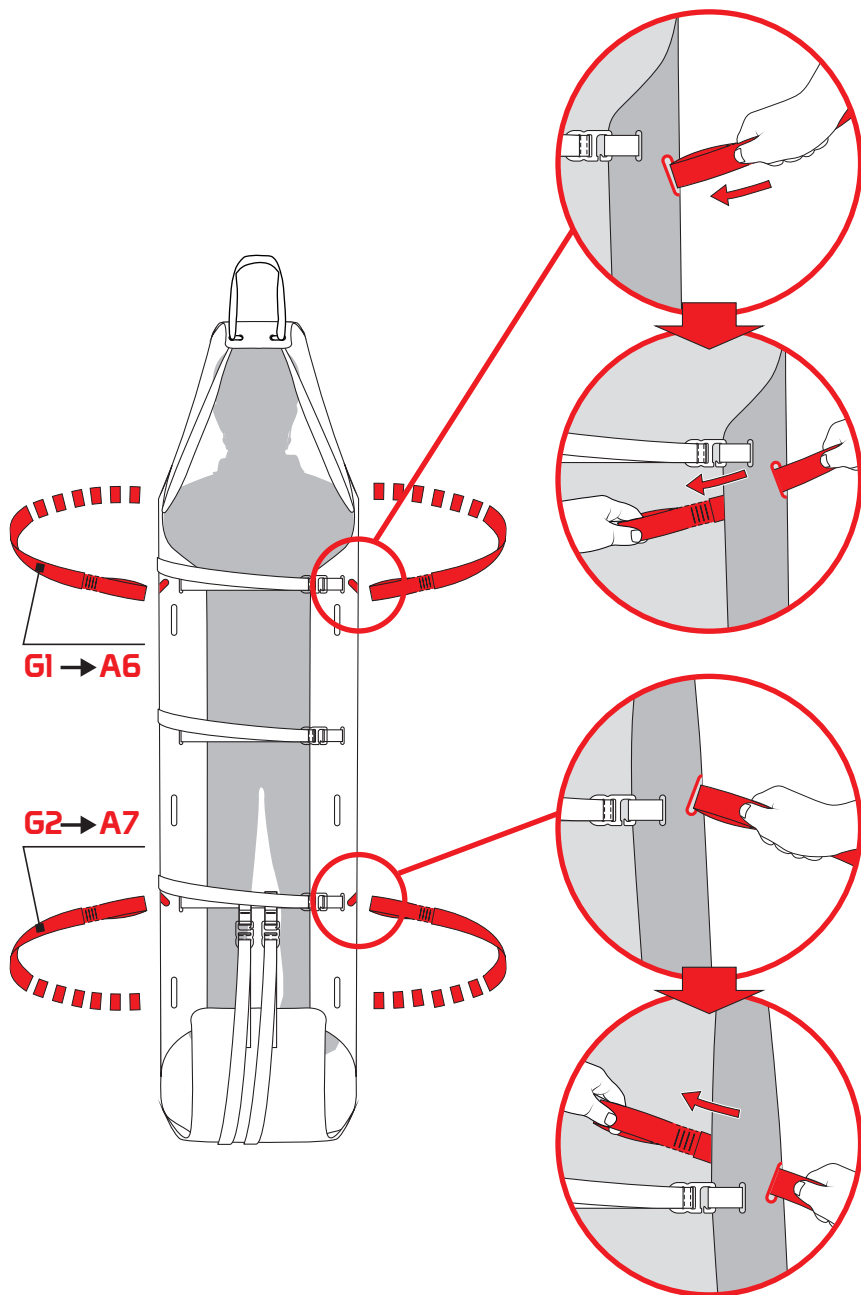


Fig.11

c) lifting/lowering or vertical lowering: insert the rope (H) in the holes A8 in the support surface (fig. 12).

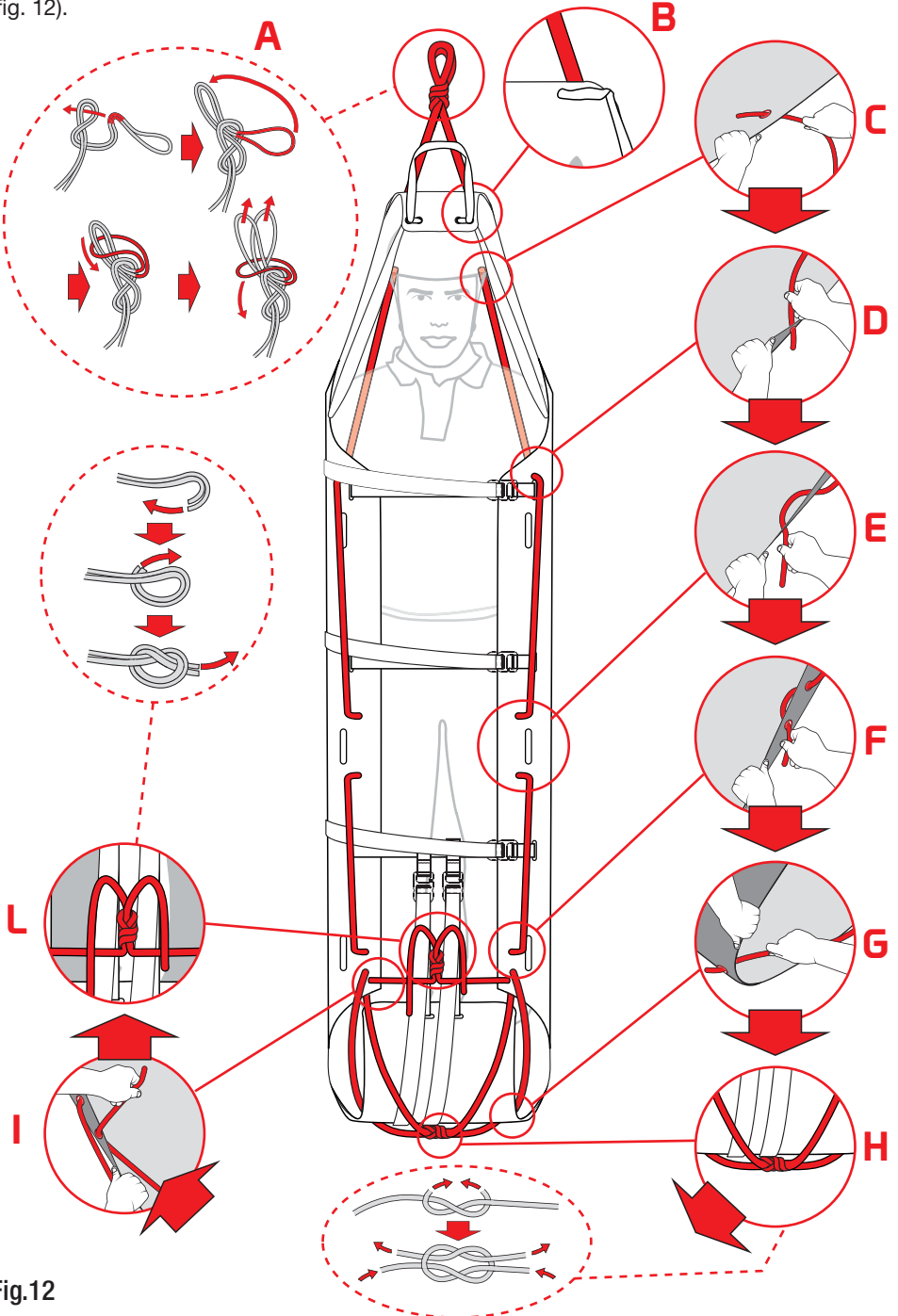


Fig.12

4.4 BLOCKING THE PATIENT

After having positioned the patient on the support surface (A):

- Insert the buckles with hook (I) in the corresponding slings with eyelet (C) and tension the slings (B) to lift the side parts of the support surface (A) enough to contain the patient (fig. 13).
- Insert the buckles with hook (L) in the corresponding slings with eyelet (M) and tension the slings (D) to lift the end part of the support surface (A) enough to contain the patient's feet (fig. 14).

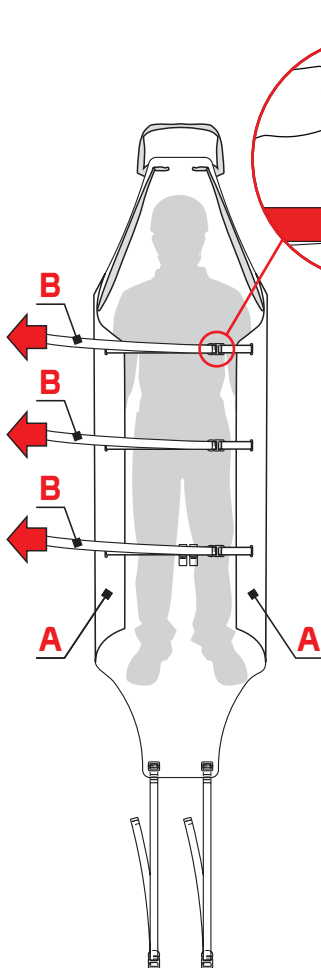


Fig.13

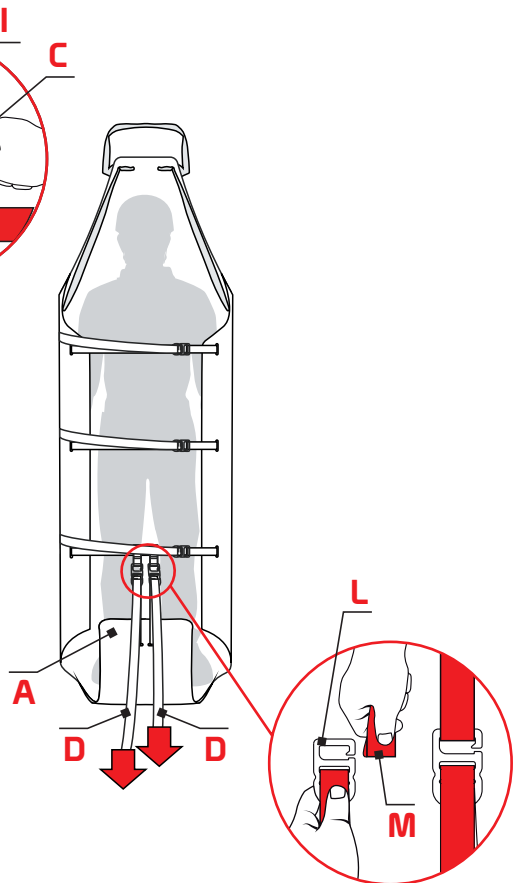


Fig.14

- c) Tension the sling (E) to lift the end part of the support surface (A) enough to contain the head of the patient and immobilise it (fig. 15).

Avoid prolonged contact of the patient's skin with the fabric of the device.



This procedure must also be carried out with patients immobilised on the spinal board "X-TRIM" or on the vacuum-operated mattress "VACUUM".

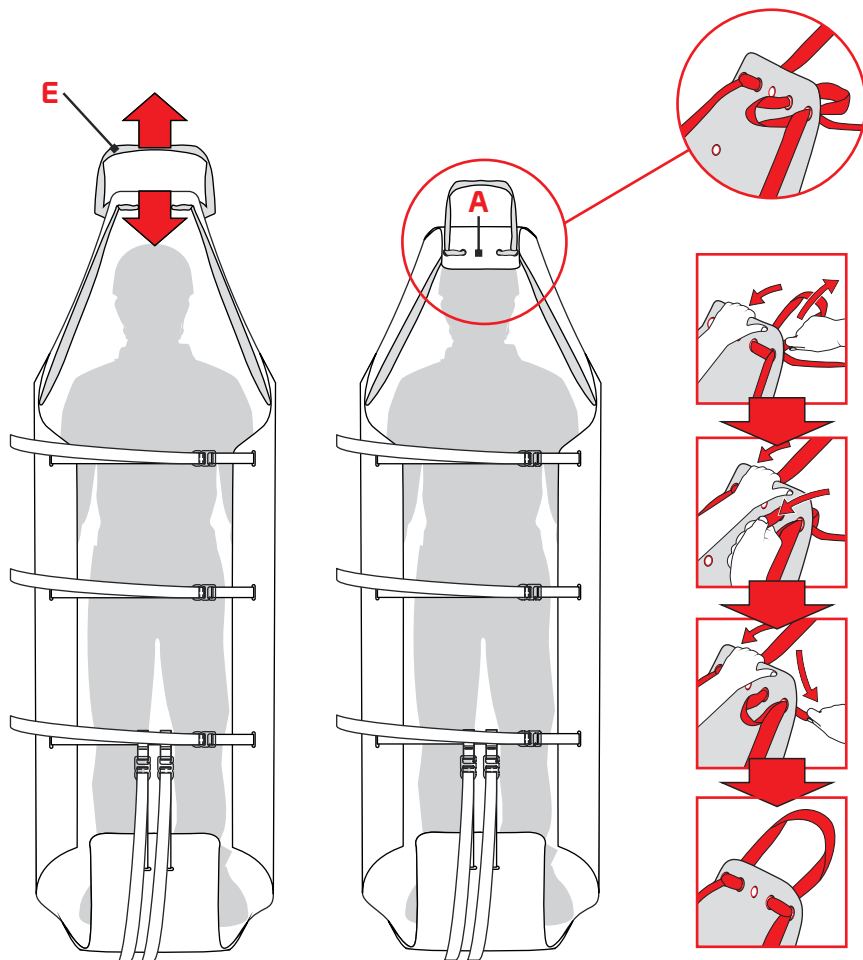


Fig.15

4.5 TRANSPORTING THE PATIENT

The “**ROLLY**” rescue sheet is suitable for use in the following modes of use:

- **Transportation with the handles (F) (fig. 16)**
- **Lifting and lowering with rescue devices (fig. 17)**
with the hanging kit (G)
- **Vertical descent and recovery (fig. 18)**
with the rope (H)
- **Hoisting and lowering with helicopters (fig. 17)**
with the hanging kit (G)
- **River transportation (fig. 19)**
with the 880020300KK FLOK-IT (L)



16 Before any recovery operation, make sure that the weight does not exceed the defined load capacity!

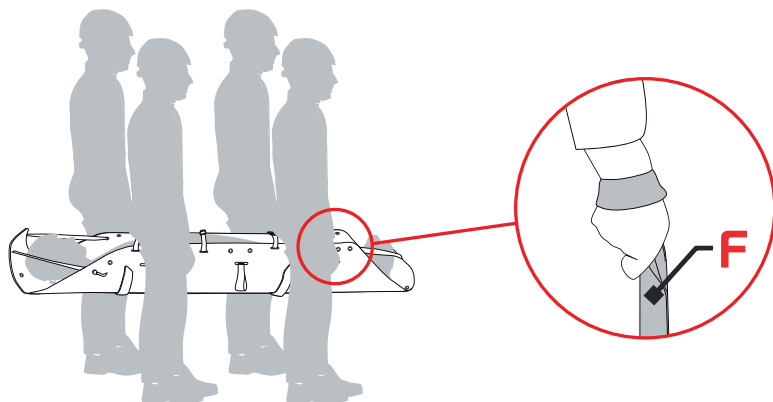


Fig.16

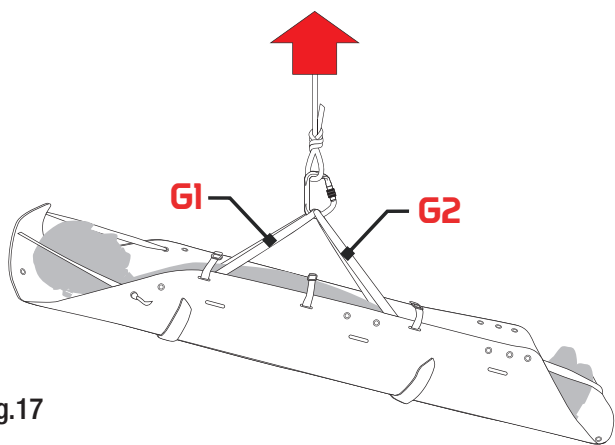


Fig.17

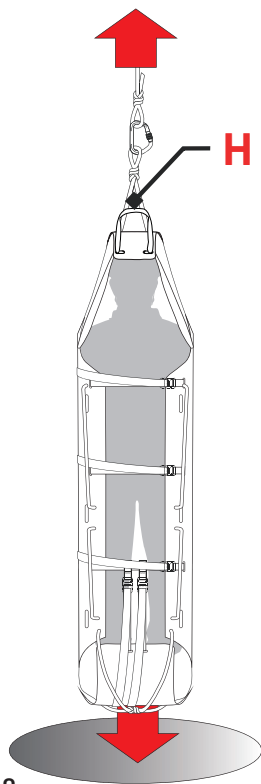


Fig.18

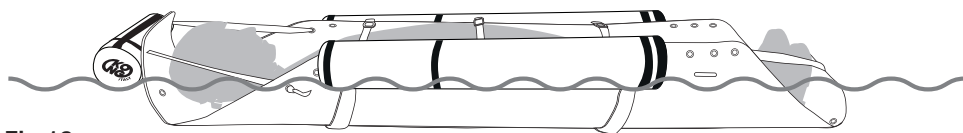


Fig.19

CHAPTER 5

MAINTENANCE AND REPAIR

5.1 GENERAL

The “**ROLLY**” rescue sheet is made of materials that are highly resistant to wear and to external agents. Despite this, the use conditions require maintenance operation and even repair in particular conditions.



Maintenance and repair operation must be recorded in a special register an example of which is indicated in chapter 10.

5.2 MAINTENANCE



The maintenance operations that must be carried out by the user are, in order:

- a) cleaning: wash the device by hand in lukewarm water (30-32°C) with neutral detergent (pH 5.5-8.5) and allow it to air dry, avoiding direct exposure to the sun and heat sources,
- b) disinfection: wipe with a clean cloth , soaked in a water solution of sodium hypochlorite (bleach) with a 0,1% concentration (1000 ppm). When blood or other bodily fluids are present, the recommended concentration of sodium hypochlorite is 0,5% (5000ppm)

5.3 REPAIR



Repair shall be strictly carried out by the manufacturer.

The user is allowed to replace the parts mentioned in paragraph 3.4.2 only, with new and original parts.

CHAPTER 6

STORAGE

6 STORAGE

After cleaning, any disinfection and drying operations, keep the product and its optional components in a place that is dry (relative humidity 40-90%), cool (temperature 5-40° C) and safe (avoid UV radiations), chemically neutral (absolutely avoid salty and/or acid environments), away from sharp edges, sources of heat, humidity, corrosive substances or other possible jeopardising conditions.



Do not store this device wet!

CHAPTER 7

CHECKS INSPECTIONS AND SERVICING

7.1 CHECKS

Before and after every use, check the device and ensure that:

- it is appropriate for the use it was intended for,
- it has not been subjected to mechanical deformations and it neither has cracks nor shows signs of wear,
- the textile parts do not have cuts, burns, chemical products residues, excessive hair, wear, in particular check areas at contact with the metal components,
- markings, including labels, are readable.

7.2 INSPECTIONS

The device must be inspected at least once a year, starting from the date of first use, by expert personnel trained and approved by KONG S.p.A. The date of the first use and the outcome of the inspection must be recorded in the Inspections and Servicing Register, regarding which an example is indicated in chapter 10.

7.3 SERVICING

The device must be serviced by KONG S.p.A., or by expert personnel trained and approved by KONG S.p.A. if:

- any malfunctions are detected,
- the result of the pre and post use check or of the inspections is negative.

The outcome of the servicing must be recorded in the Inspections and Servicing Register, regarding which an example is indicated in chapter 10.

The device subject of servicing has a one-year warranty from the date of servicing.

CHAPTER 8

PRODUCT LIFE AND GUARANTEE

8.1 PRODUCT LIFE

Carefully read the “Warnings and limitations of use” paragraph in chapter 2. The duration of this device depends on the outcome of the at least one-yearly inspection (paragraph 7.2) and possible servicing.



The hanging kit, even if not used, must be replaced after 10 years from the first use and in any case no later than 12 years from the date of manufacture.

8.2 DISPOSAL

Follow the rules in force in the country of use and the waste disposal procedures of the reference hospital facility for proper disposal.

8.3 GUARANTEE

The manufacturer guarantees the compliance of the device with the regulations in force at the time of production. Warranty covering defects is limited to defects regarding raw materials and manufacturing defects. The warranty does not cover normal wear, oxidation, damage caused by non-compliant use and/or in competition, by improper maintenance, transportation, preservation or storage. Warranty will be immediately deemed null and void should the device be modified or tampered with. Validity corresponds to the legal validity of the country where the device was sold, as from the date of sale, by the manufacturer. No claims shall be raised against the manufacturer once the aforementioned period has expired. Any repair or replacement request under warranty must be accompanied by a proof of purchase. Should the defect be recognised, the manufacturer undertakes to repair or, replace or refund the device at his discretion. The manufacturer shall not be held liable beyond the invoice price of the device in any case whatsoever.

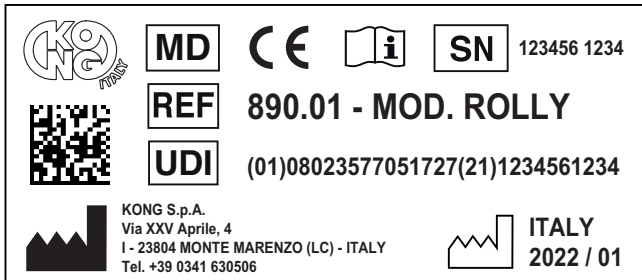
8.4 LAW OBLIGATIONS

Professional and free time activities are often regulated by special national laws which can impose limits and/or obligations concerning the use of these devices. The user has the obligation to know and apply such laws which could provide for limits different from those indicated in this information.

CHAPTER 9

LABELLING AND SYMBOLS

9.1 MEDICAL DEVICE LABEL



Any changes to the positioning of the symbols does not change the content thereof.

9.2 SYMBOLS

Identification and traceability

	Medical Device
	Product identification code
	Unique Device Identifier
	Manufacturer's identification
	Unique serial number
	Country, year and month of production.



Data matrix UDI
 Readable with the Apps:
 iGepir - BarValid - Barcode Scanner

Information and safety

	Consult the user manual
	Compliant with Regulation (EU) 2017/745

CHAPTER 10

DOCUMENTS

10.1 INSPECTIONS AND SERVICING REGISTER

RESCUE SHEET - Class I MD				
REF.	890.01	MOD.	ROLLY	
UDI-DI	08023577051727	SN		
Date of first use				
INSPECTION AND SERVICING				
DATE	I/S	Description	Outcome	Supervisor

10.2 MAINTENANCE AND REPAIR REGISTER

RESCUE SHEET - Class I MD				
REF.	890.01		MOD.	ROLLY
UDI-DI	08023577051727		SN	
Date of first use				
MAINTENANCE AND REPAIRS				
DATE	M/R	Description	Outcome	Supervisor



10.3 EU DECLARATION OF CONFORMITY

The EU Declaration of Conformity is available for download at www.kong.it



KONG s.p.a.

via XXV Aprile, 4 | 23804 Monte Marenzo (LC) - ITALY | tel +39 0341.630506 | info@kong.it



certified UNI EN ISO 9001

DICHIARAZIONE DI CONFORMITÀ UE EU DECLARATION OF CONFORMITY

Il fabbricante

Manufacturer:

Ragione sociale:

KONG S.p.A.

Company:

Sede legale:

Via XXV Aprile, 4 - 23804 Monte Marenzo (LC)

Registered office:

Numero di registrazione unico:

IT-MF-000027905

Single registration number:

IT-MF-000027905

Dichiara sotto la propria ed unica responsabilità che il dispositivo:

Declares under its sole responsibility that the device:

Nome Commerciale:

ROLLY

Commercial name:

UDI-DI di Base:

8023577STRETCHERSQP

Basic UDI-DI:

EMDN

V08050199 – Barelle per il trasferimento di pazienti - altre

V08050199 - Stretchers for the transfer of patients - others

Destinazione d'uso

Barella per il trasporto dei pazienti durante operazioni di soccorso

Intended use:

Stretcher for transporting patients during rescue operations

è conforme al Regolamento (UE) 2017/745

complies with (EU) Regulation 2017/745

Classificazione:

Classe I (All. VIII regola 1)

Classification:

Class I (Ann. VIII rule 1)

Procedimento di valutazione della conformità:

All. II e III

Conformity evaluation procedure:

Ann. II and III

Monte Marenzo, 31/08/2022

KONG S.p.A.

Il Legale Rappresentante

The legal representative

Dott. Marco Bonaiti

Modulo in revisione 1 del 01/12/2021 / Revision form 1 of 01/12/2021

Cap. Soc. € 2.000.000,00 | C.C.I.A.A. Lecco REA 165758 | Reg. Imprese di Lecco 00703180166 | P.IVA (VAT): IT 00703180166 | SDI code: DXEBYTP

www.kong.it

11.1 APPLIED STANDARDS

- EN ISO 14971: 2019
Medical devices - Application of risk management to medical devices.
- EN 62366-1: 2015 + A1: 2020
Medical devices - Application of usability engineering to medical devices.
- EN ISO 15223-1: 2021
Medical devices — Symbols to be used with information to be supplied by the manufacturer — Part 1: General requirements
- EN ISO 20417: 2021
Medical devices - Information to be supplied by the manufacturer
- EN ISO 10993-1: 2020
Biological evaluation of medical devices - Part 1: Evaluation and testing within a risk management process
- EN ISO 10993-5: 2009
Biological evaluation of medical devices - Part 5: Tests for in vitro cytotoxicity
- EN ISO 10993-23: 2021
Biological evaluation of medical devices - Part 23: Tests for irritation
- EN 597-1: 2015
Furniture - Assessment of the ignitability of mattresses and upholstered bed bases - Part 1: Ignition source smouldering cigarette
- EN ISO 846:2019
Plastics - Evaluation of the action of microorganisms
- EN 1865-1: 2010 + A1: 2015
Patient handling equipment used in road ambulances - Part 1: General stretcher systems and patient handling equipment

11.2 STANDARDS USED AS REFERENCE

- EN ISO 13485: 2016
Medical devices - Quality management systems - Requirements for regulatory purposes
- EN 13718-1: 2014 + A1: 2020
Medical vehicles and their equipment - Air ambulances - Part 1: Requirements for medical devices used in air ambulances.

KONG s.p.a.

Via XXV Aprile, 4 - (zona industriale)

I - 23804 MONTE MARENZO (LC) - ITALY

Tel +39 0341630506 - Fax +39 0341641550

www.kong.it

Y0100000YBK



ROLLY

890.01

CE

Regolamento (UE)
2017/745

IT

WWW.KONG.IT



Scarica la versione digitale

INDICE

1 - SIMBOLOGIA E ASSISTENZA	4
1.1 Simbologia	4
1.2 Assistenza	4
2 - INFORMAZIONI GENERALI	5
3 - CARATTERISTICHE TECNICHE	6
3.1 Terminologia e materiali delle parti	6
3.2 Dati tecnici	8
3.3 Componenti opzionali e ricambi	9
4 - INFORMAZIONI SPECIFICHE	10
4.1 Destinazione d'uso	10
4.2 Preparazione	10
4.3 Allestimento	11
4.4 Bloccaggio del paziente	16
4.5 Trasporto del paziente	18
5 - MANUTENZIONE E RIPARAZIONE	20
5.1 Generale	20
5.2 Manutenzione	20
5.3 Riparazione	20
6 - IMMAGAZZINAMENTO	21
7 - CONTROLLI, ISPEZIONI E REVISIONI	22
7.1 Controlli	22
7.2 Ispezioni	22
7.3 Revisioni	22
8 - DURATA E GARANZIA	23
8.1 Durata	23
8.2 Smaltimento	23
8.3 Garanzia	23
8.4 Obblighi di legge	23
9 - ETICHETTATURA E SIMBOLOGIA	24
9.1 Etichettatura del dispositivo medico	24
9.2 Simbologia	24
10 - DOCUMENTI	25
10.1 Registro ispezioni e revisioni	25
10.2 Registro manutenzioni e riparazioni	26
10.3 Dichiarazione di conformità UE	27
11 - ELENCO DELLE NORME APPLICATE E DI RIFERIMENTO	28
11.1 Norme applicate	28
11.2 Norme utilizzate come riferimento	29

1.1 SIMBOLOGIA

Per rendere confortevole e chiara la lettura del manuale si riporta di seguito la simbologia utilizzata per la gestione delle avvertenze importanti per un uso corretto e sicuro del dispositivo.



REQUISITO PER UN USO CORRETTO

Identifica la presenza di informazioni per un uso corretto del dispositivo.



REQUISITO INFORMATIVO

Identifica la presenza di informazioni utili e di carattere generale la cui lettura guida l'utilizzatore ad un uso consapevole del dispositivo e/o all'esecuzione di azioni.



Identifica che il Dispositivo Medico è realizzato, progettato e prodotto in rispondenza a quanto previsto dai Requisiti Generali di sicurezza e prestazione del Regolamento (UE) 2017/745 (Dispositivo medico di classe I, in rispondenza alla regola di classificazione 1 così come indicato dall'allegato VIII).

1.2 ASSISTENZA

Per informazioni contattare il Servizio Assistenza Clienti Kong mediante:

- telefono +39 0341 630506,

- fax +39 0341 641550,

- email: safetycare@kong.it,

oppure scrivere a KONG S.p.A. – Via XXV Aprile, 4 – 23804 Monte Marenzo LC - ITALY.

Per agevolare le operazioni di assistenza comunicare o indicare sempre il numero di serie (SN) riportato sull'etichetta applicata al Dispositivo Medico.

CAPITOLO 2

2 INFORMAZIONI GENERALI

Le informazioni fornite dal fabbricante (di seguito informazioni) devono essere lette e ben comprese dall'utilizzatore prima dell'impiego del Dispositivo Medico (di seguito DM). Le informazioni riguardano la descrizione delle caratteristiche, delle prestazioni, del montaggio, dello smontaggio, della manutenzione, della conservazione, della disinfezione, ecc. del dispositivo, anche se contengono alcuni suggerimenti di impiego non devono essere considerate un manuale d'uso nelle situazioni reali.



AVVERTENZE E LIMITAZIONI D'USO:

- questo dispositivo deve essere utilizzato solo da persone fisicamente idonee, formate (informate e addestrate) all'uso e con esperienza specifica riguardo alla movimentazione dei pazienti o, nelle attività di formazione, da persone sottoposte al controllo diretto di formatori/supervisor che ne garantiscono la sicurezza,
- non utilizzare il dispositivo fino a quando non sia stato letto e compreso il presente manuale d'uso in ogni sua parte,
- attenersi scrupolosamente alle informazioni del fabbricante, l'utilizzo improprio del dispositivo è pericoloso,
- è assolutamente vietato modificare e/o riparare il dispositivo,
- prima e dopo l'uso devono essere effettuati tutti i controlli descritti al capitolo 7. Se l'utilizzatore ha il minimo dubbio sull'efficienza del dispositivo, lo deve sostituire immediatamente,
- l'uso non conforme, le deformazioni, le cadute, l'usura, la contaminazione chimica, l'esposizione a temperature inferiori a -30°C

- o superiori a +50°C per i componenti/dispositivi tessili/plastici, e +100°C per i componenti/dispositivi metallici, sono alcuni esempi di cause che possono ridurre, limitare e terminare la vita del dispositivo,
- prima di qualsiasi operazione di recupero assicurarsi che il peso non ecceda la capacità di carico definita al paragrafo 3.2.2,
- per ridurre i rischi di esposizione / trasmissione di malattie infettive effettuare la pulizia e la disinfezione del dispositivo come definito al capitolo 5,
- l'utilizzo improprio dei sistemi di bloccaggio del paziente può mettere a rischio l'incolumità dello stesso,
- verificare sempre la compatibilità dei dispositivi utilizzati in abbinamento mediante le relative informazioni del fabbricante,
- l'utilizzo di ricambi o componenti opzionali diversi da quelli riportati al paragrafo 3.3 può essere pericoloso,
- evitare l'esposizione del dispositivo a fonti di calore e al contatto con sostanze chimiche. Ridurre al necessario l'esposizione diretta al sole. A temperature basse e in presenza di umidità la formazione di ghiaccio può ridurre la flessibilità e aumentare il rischio di taglio e abrasione sui dispositivi tessili e sintetici.
- Segnalare al fabbricante e all'autorità competente dello Stato membro in cui l'utilizzatore e/o il paziente è stabilito, qualsiasi incidente grave dovuto all'utilizzo del D.M.

Tutti i nostri dispositivi sono collaudati/controllati pezzo per pezzo in accordo alle procedure del Sistema Qualità certificato secondo la norma UNI EN ISO 9001. I test di laboratorio, i collaudi, le informazioni e le norme non sempre riescono a riprodurre la pratica, per cui i risultati ottenuti nelle reali condizioni d'utilizzo del dispositivo possono differire in maniera talvolta anche rilevante. Le migliori informazioni sono la continua pratica d'uso sotto la supervisione di persone competenti/esperte/qualificate.



Attenzione: non adatto all'utilizzo in ambiente ATEX (Direttiva 94/9/CE)

CAPITOLO 3

CARATTERISTICHE TECNICHE

3.1 TERMINOLOGIA E MATERIALI DELLE PARTI

- A - Piano di appoggio in polietilene ad alta densità,
- B1 - Fettucce in poliestere,
- B2 - Fettucce in poliestere,
- C - Fettucce in poliestere con asole,
- D - Fettucce in poliestere,
- E - Fettuccia in poliestere,
- F - Maniglie in poliestere,
- G - Sospensiva in poliestere ad alta tenacità (G1 parte corta - G2 parte lunga),
- H - Corda statica,
- I - Fibbia con gancio in lega di alluminio,
- L - Fibbia con gancio in lega di alluminio,
- M - Fettucce con asole,
- N - Fettuccia con cricchetto,
- O - Sacca di trasporto.

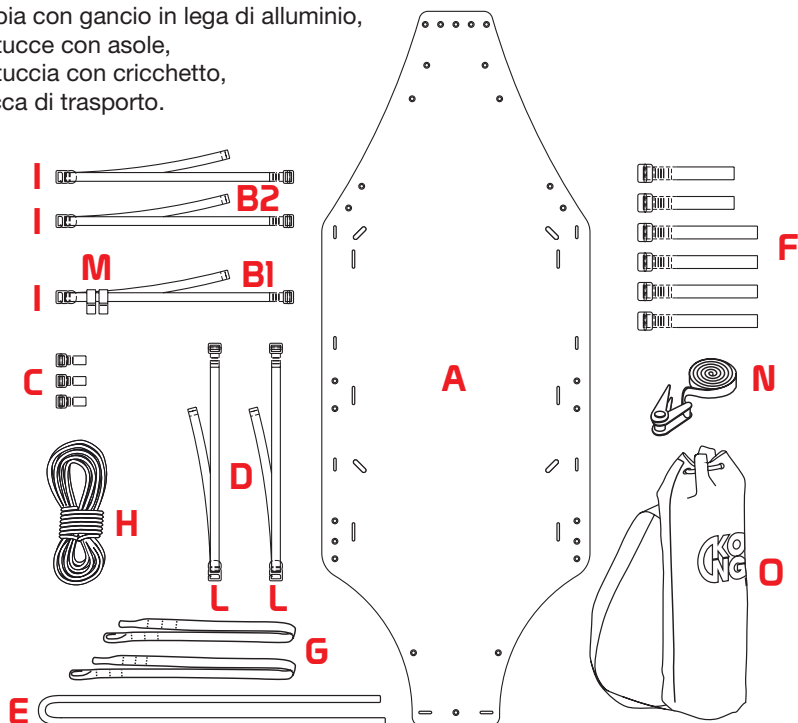


Fig.1

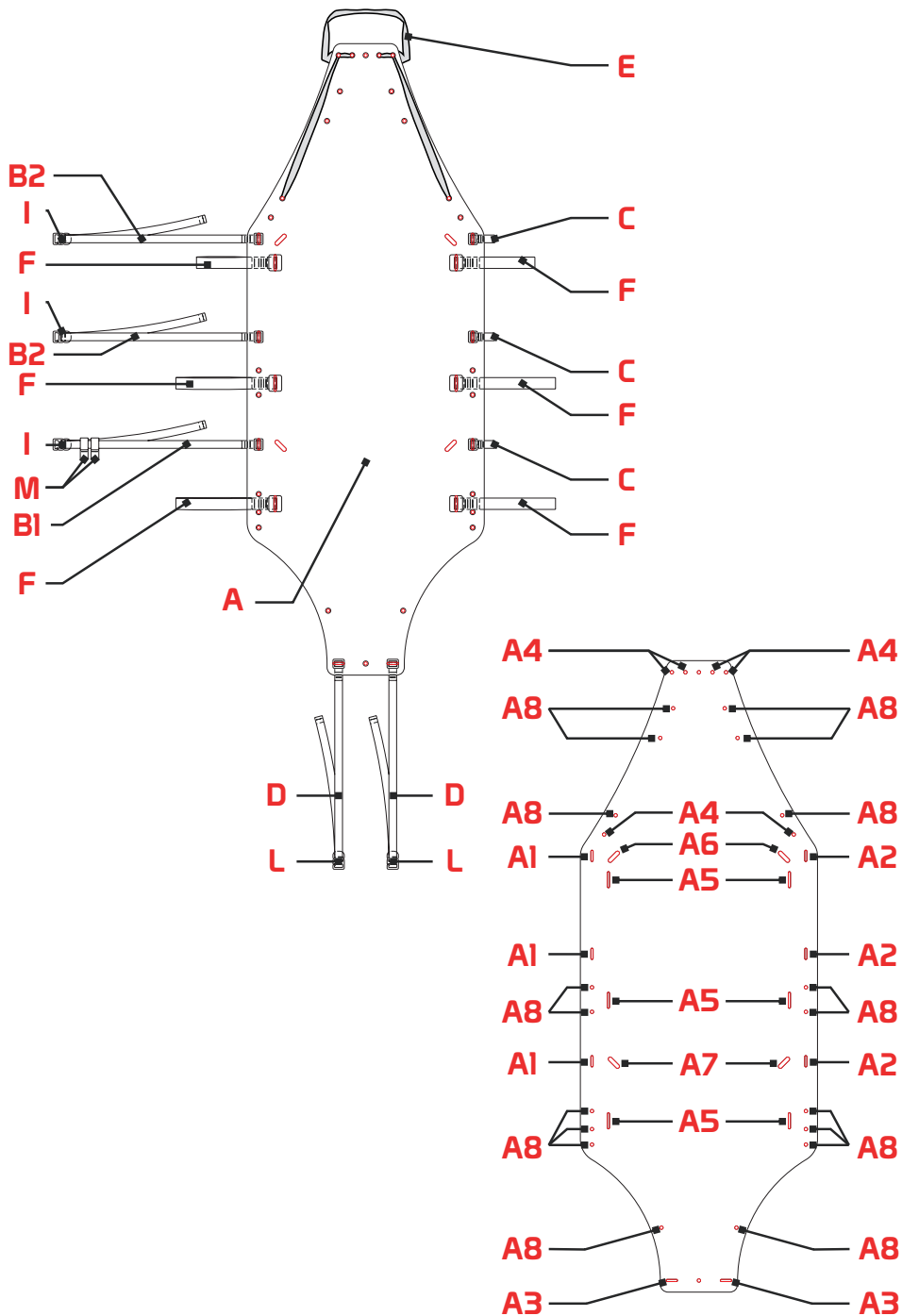


Fig.2

3.2 DATI TECNICI

3.2.1 Dimensioni e peso

Lunghezza:	245 cm
Larghezza:	92 cm
Arrotolata nella sacca:	Ø 30 x 110 cm
Peso complessivo delle parti (fig. 1):	9 kg

3.2.2 Capacità di carico

Modalità di utilizzo	Capacità di carico
Trasporto mediante le maniglie (F) (fig. 16):	250 kg
Sollevamento e calata con dispositivi di salvataggio (fig. 17) mediante sospendita (G)	2100 kg
Calate e recuperi nel vuoto (fig. 18) con la corda	2400 kg
Sollevamento e calata con elicotteri (fig. 17) mediante sospendita (G)	2100 kg

3.2.3 Spinta di galleggiamento

Modalità di utilizzo	Spinta di galleggiamento
Trasporto Fluviale (fig. 4) con il kit 880020300KK FLOK-IT	400 N



Il coefficiente di sicurezza deve essere conosciuto e definito dall'utilizzatore.

3.3 COMPONENTI OPZIONALI E RICAMBI

Le modalità di collegamento e di utilizzo dei componenti opzionali sono definite nelle relative istruzioni d'uso.

3.3.1 Componenti opzionali

880020300KK FLOK IT

Kit galleggianti per barelle, costituito da tre cilindri di diversa lunghezza n. 2 laterali da 1 m e n. 1 lato testa da 0,4 m), ciascuno dotato di due cinghie di fissaggio con fibbie plastiche a sgancio rapido.

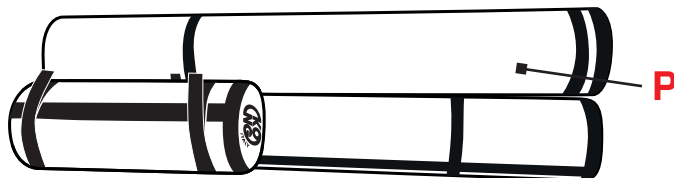


Fig.3

3.3.2 Ricambi

- B1 - Fettucce in poliestere,
- B2 - Fettucce in poliestere,
- C - Fettucce in poliestere con asole,
- D - Fettucce in poliestere,
- E - Fettuccia in poliestere,
- F - Maniglie in poliestere,
- G - Sospendita in poliestere ad alta tenacità (G1 parte corta - G2 parte lunga),
- H - Corda statica,
- N - Fettuccia con cricchetto,
- O - Sacca di trasporto.

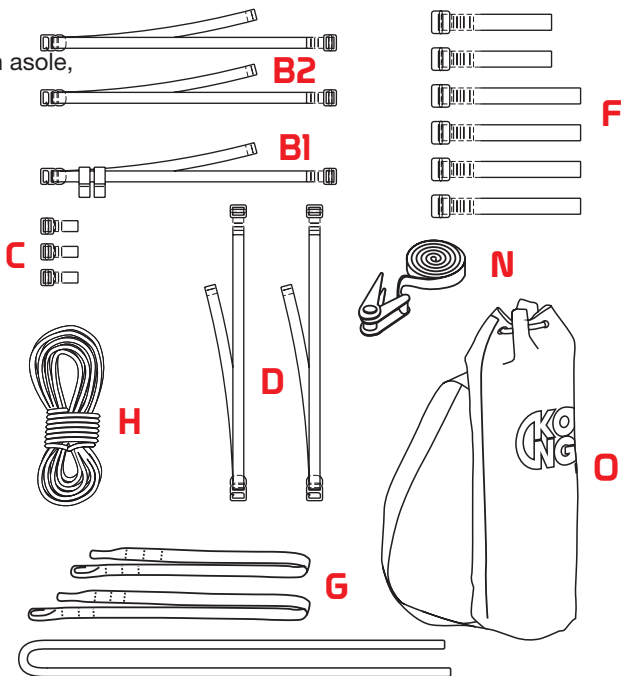


Fig.4

4.1 DESTINAZIONE D'USO

Il telo da soccorso **“ROLLY”** è un DM particolarmente adatto per recuperare e trasportare un paziente, anche immobilizzato sulle tavole spinali **“X-TRIM”** o sui materassini a depressione **“VACUUM”**, in maniera celere e in situazioni particolarmente difficili.

Le decisioni in merito alla movimentazione e all'immobilizzazione del paziente, nonché alla durata, alle modalità da adottare e all'abbinamento con altri dispositivi, devono essere prese ed effettuate solo da personale esperto e addestrato.

La sospensioni (G) in dotazione rende il telo **“ROLLY”** verricellabile.

4.2 PREPARAZIONE

- Togliere il telo **“ROLLY”** dalla sacca di trasporto (O) e rimuovere la fettuccia con cricchetto (N),
- distendere il piano d'appoggio (A) e renderlo piatto riavvolgendo al contrario le estremità e piegando la parte centrale (fig. 5),

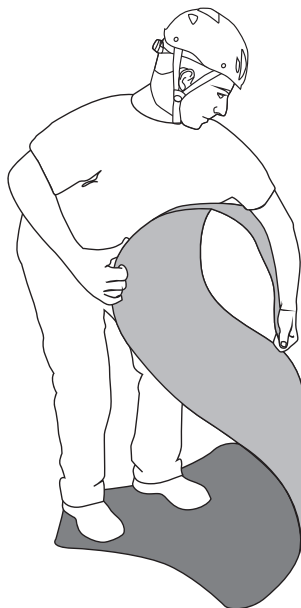


Fig.5

4.3 ALLESTIMENTO

4.3.1 Allestimento per il bloccaggio del paziente

Predisporre il seguente allestimento per il bloccaggio del paziente:

- inserire la fettuccia (E) nei fori A4 del piano di appoggio (fig. 6).
- inserire le fettucce (B1 e B2) nelle asole A1 del piano di appoggio (fig. 7),
- inserire le fettucce con asola (C) nelle asole A2 del piano di appoggio (fig. 8),
- inserire le fettucce (D) nelle asole A3 del piano di appoggio (fig. 9),

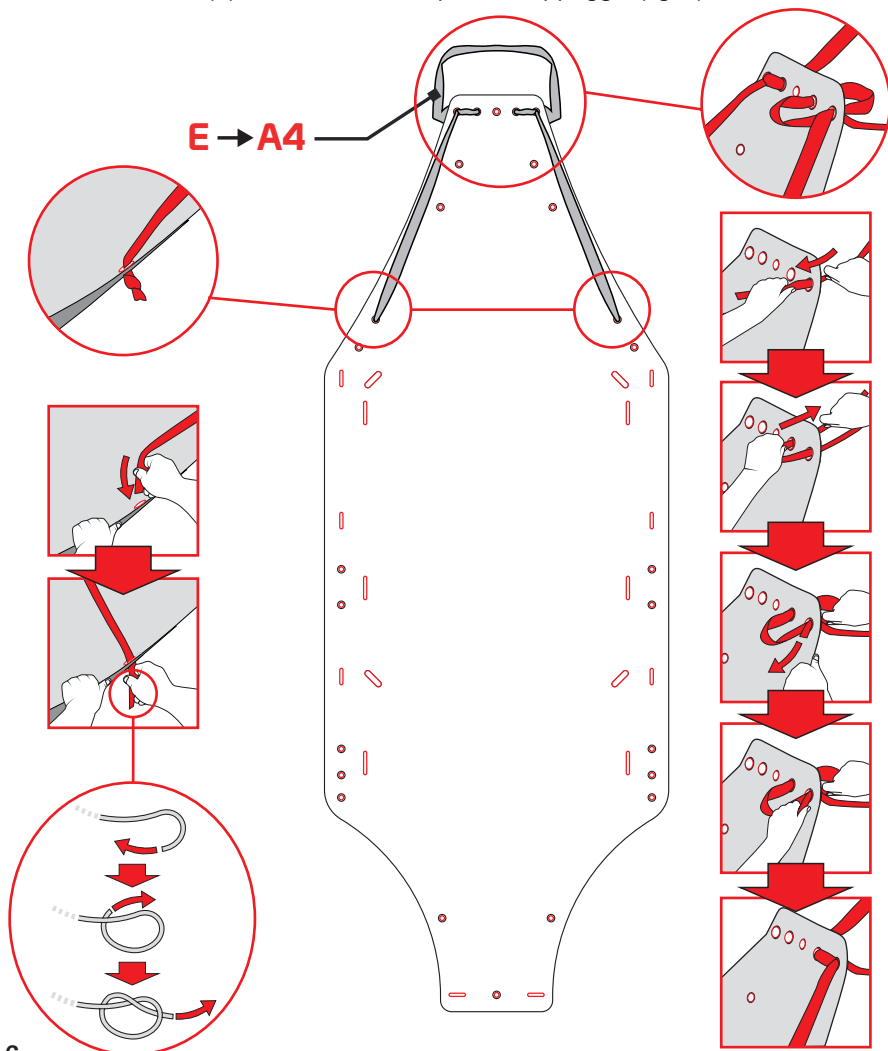


Fig.6

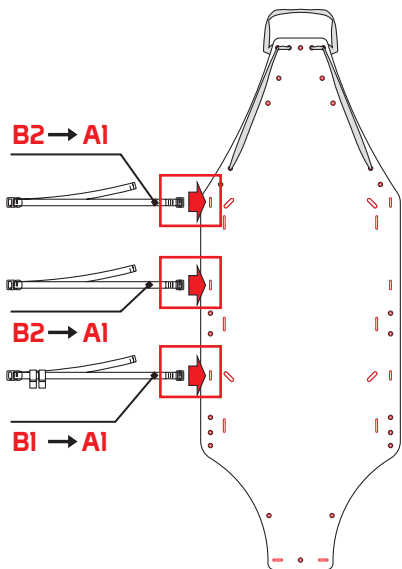


Fig.7

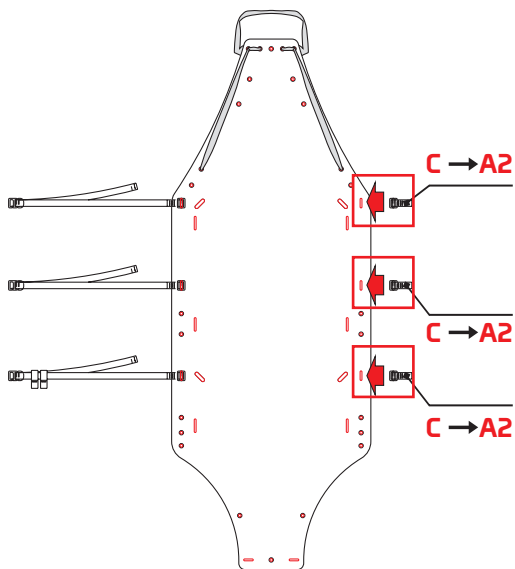


Fig.8

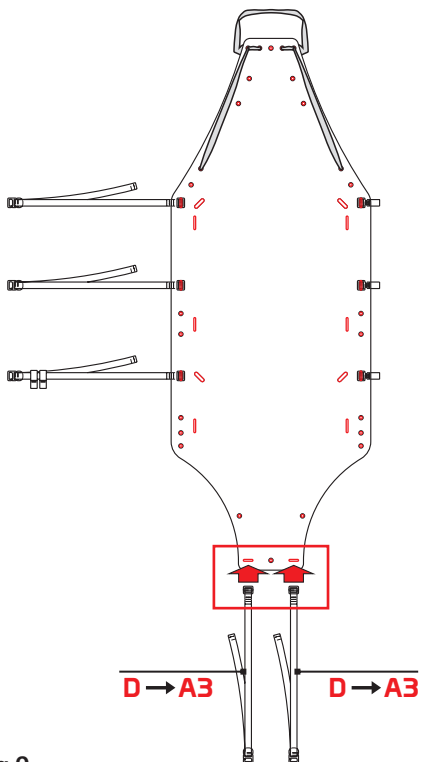
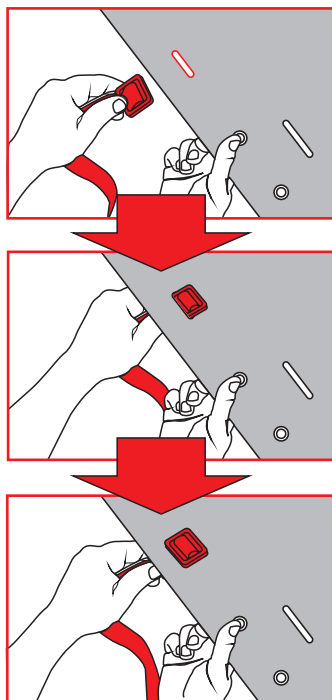


Fig.9



4.3.2 Allestimento per la movimentazione del paziente

In funzione delle modalità di sollevamento e di trasporto, che il soccorritore ritiene opportuno adottare, allestire il telo con almeno una delle seguenti parti:

- a) trasporto manuale: inserire le maniglie laterali (F) nelle asole A5 del piano di appoggio (fig. 10) - Nota: si consiglia di inserire la coppia di maniglie più corte nelle asole posizionate in prossimità del busto del paziente per mantenere la testa più in alto rispetto ai piedi,

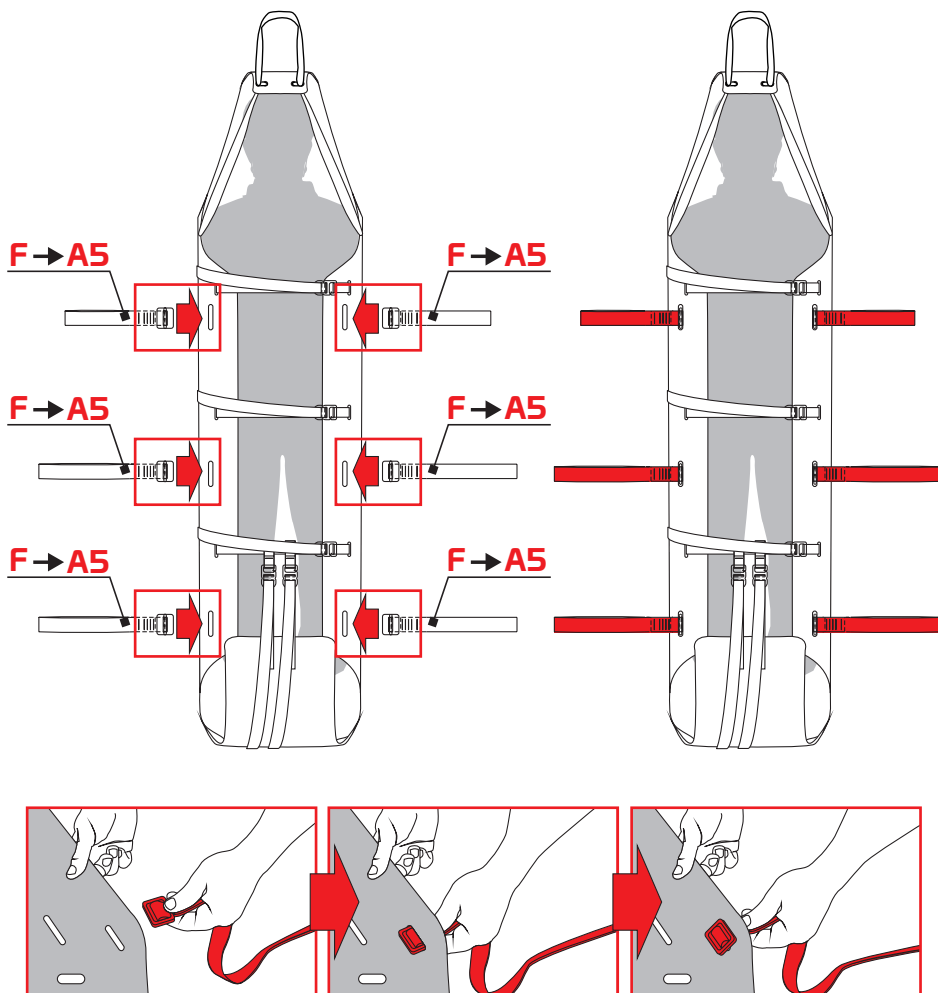


Fig.10

b) sollevamento/calata e/o trasporto mediante sospendita (G): inserire la sospendita corta (G1) nelle asole A6 e quella lunga (G2) nelle asole A7 del piano di appoggio (fig. 11),

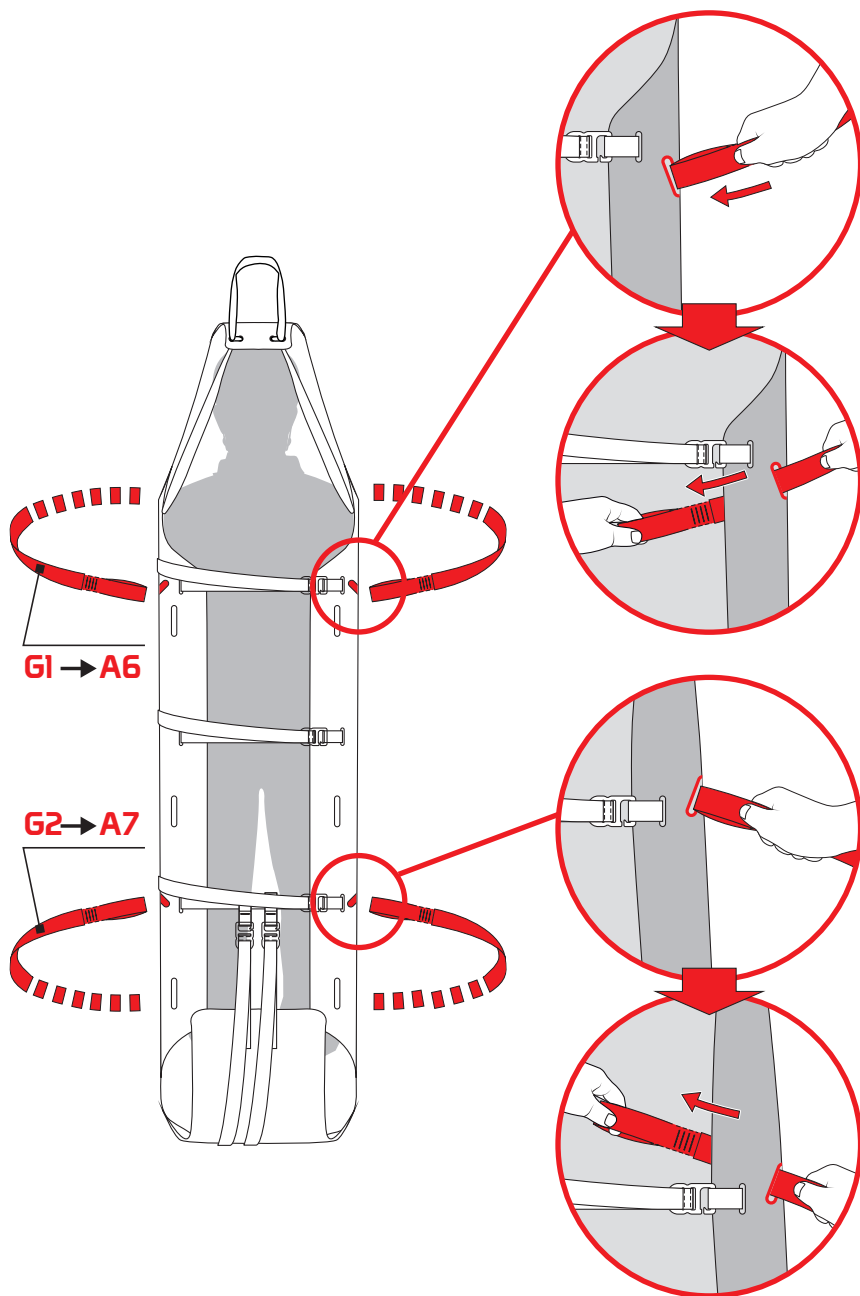


Fig.11

c) sollevamento/calata o recupero in verticale: inserire la corda (H) nei fori A8 del piano di appoggio (fig. 12).

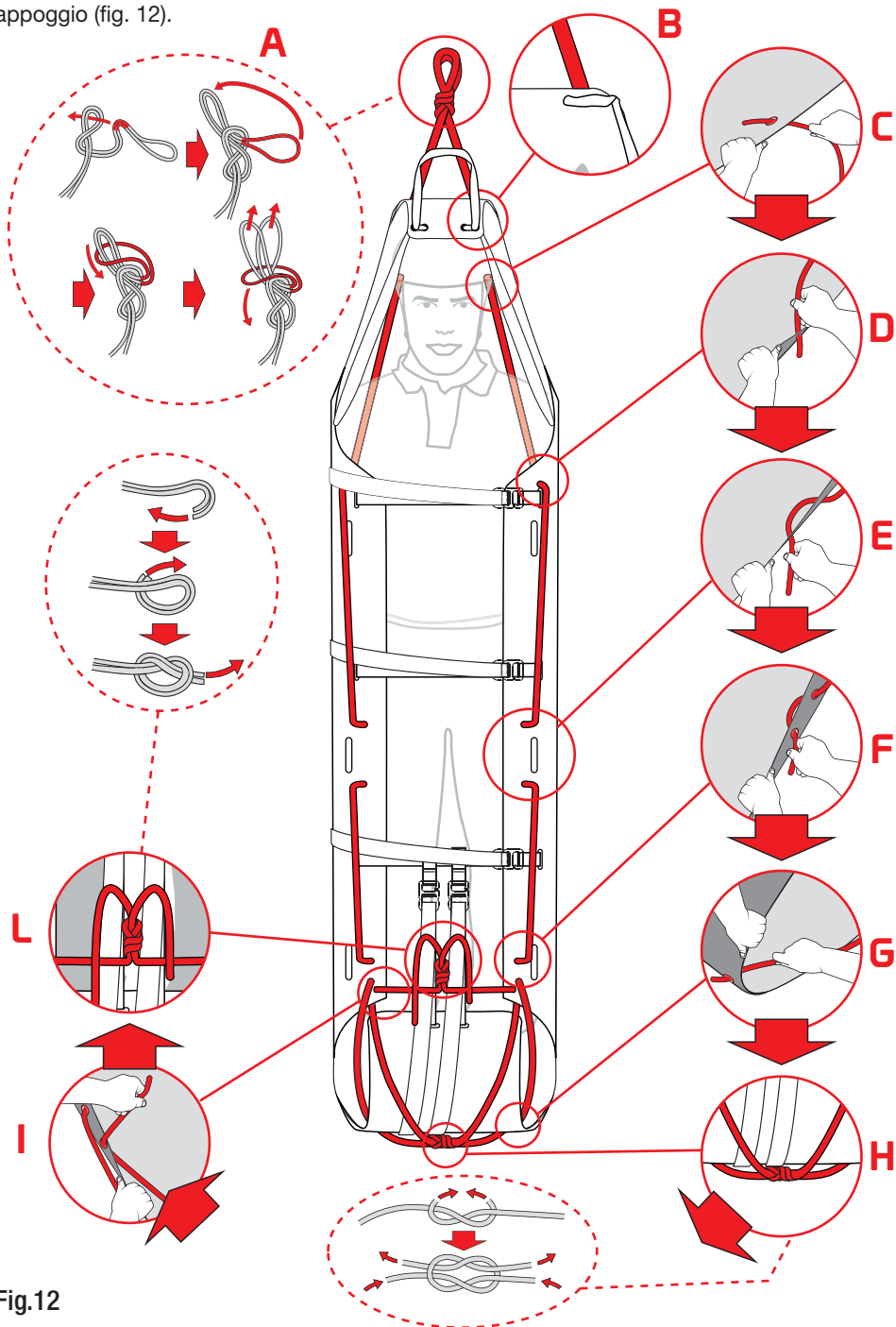


Fig.12

4.4 BLOCCAGGIO DEL PAZIENTE

Dopo aver posizionato il paziente sul piano di appoggio (A):

- inserire le fibbie con gancio (I) nelle corrispondenti fettucce con asola (C) e tensionare le fettucce (B) per sollevare le parti laterali del piano di appoggio (A) di quanto necessario a contenere il paziente (fig. 13),
- inserire le fibbie con gancio (L) nelle corrispondenti fettucce con asola (M) e tensionare la fettucce (D) per sollevare la parte terminale del piano di appoggio (A) di quanto necessario a contenere i piedi del paziente (fig. 14),

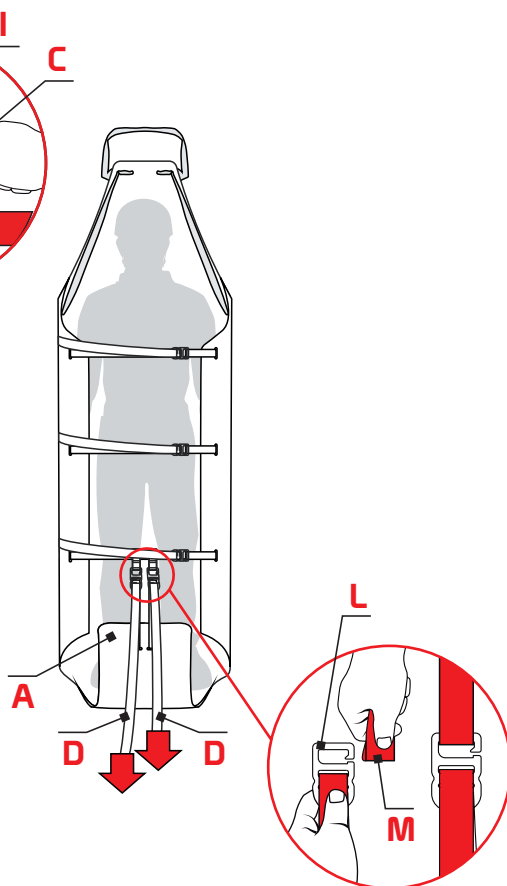
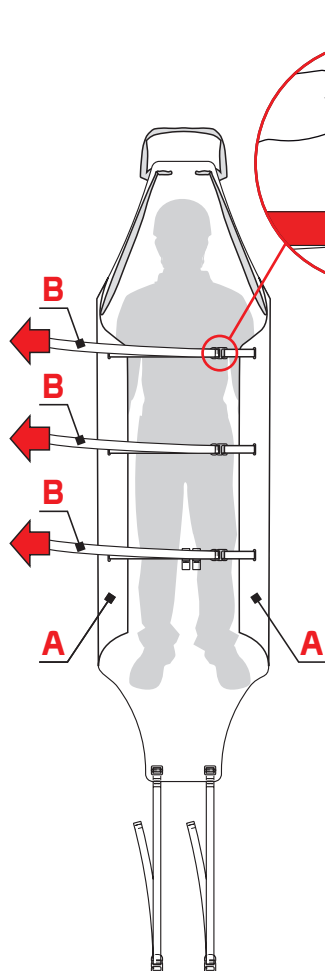


Fig.13

Fig.14

- c) tensionare la fettuccia (E), per sollevare la parte terminale del piano di appoggio (A) di quanto necessario a contenere la testa del paziente, e bloccarla (fig. 15). Evitare il prolungato contatto della cute del paziente con i tessuti del dispositivo.



Tale procedura deve essere applicata anche nel caso di pazienti immobilizzati sulla tavola spinale "X-TRIM" o sul materassino a depressione "VACUUM".

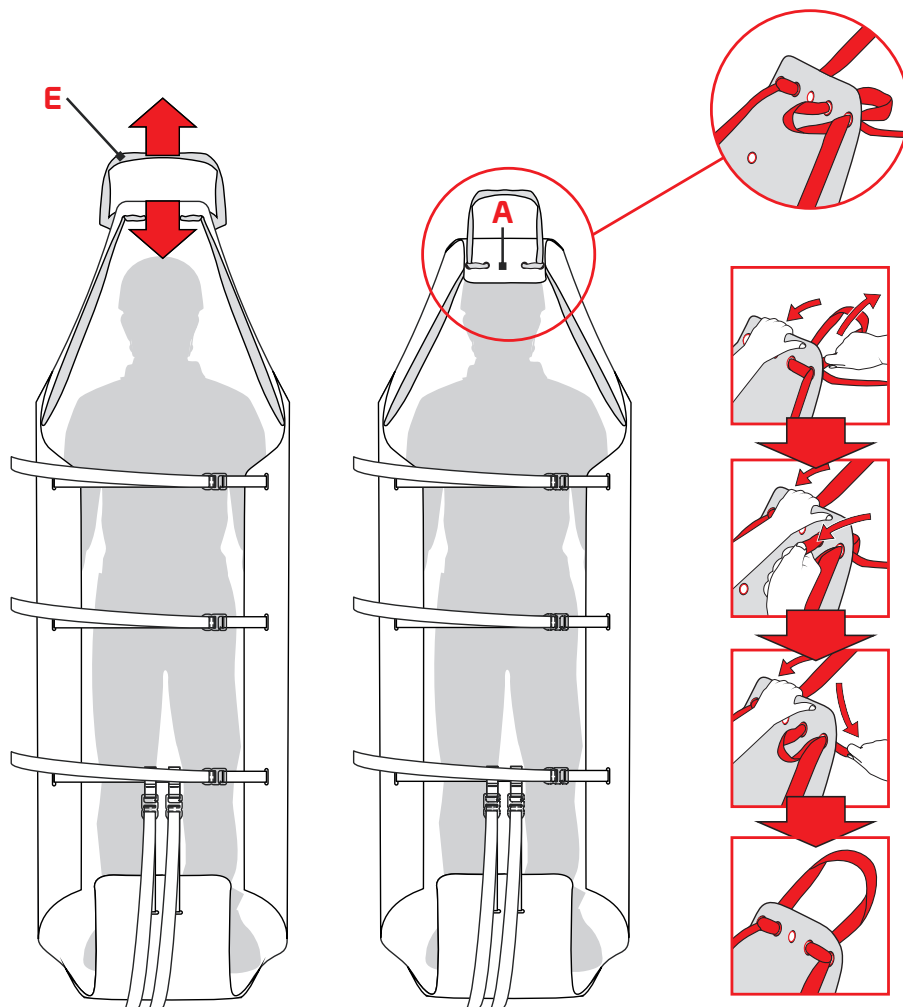


Fig.15

4.5 TRASPORTO DEL PAZIENTE

Il telo "ROLLY" è adatto all'uso nelle seguenti modalità di utilizzo:

- **Trasporto mediante le maniglie (F) (fig. 16)**
- **Sollevamento e calata con dispositivi di salvataggio (fig. 17)**
con la sospendita (G)
- **Calate e recuperi nel vuoto (fig. 18)**
con la corda (H)
- **Sollevamento e calata con elicotteri (fig. 17)**
con la sospendita (G)
- **Trasporto fluviale (fig. 19)**
con il kit 880020300KK FLOK-IT (L)



Prima di qualsiasi operazione di recupero assicurarsi che il peso non ecceda la capacità di carico definita!

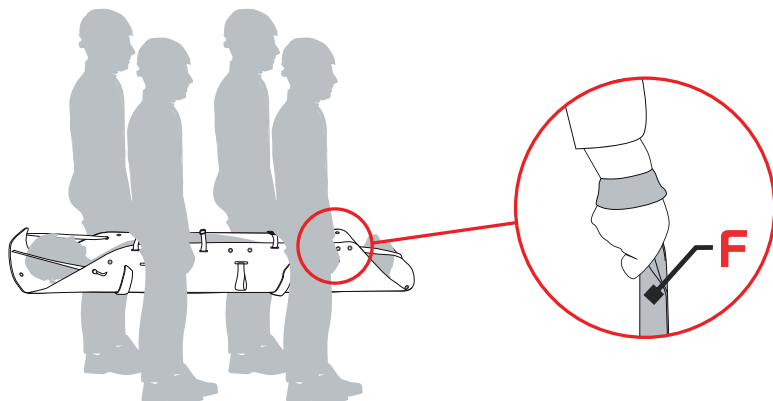


Fig.16

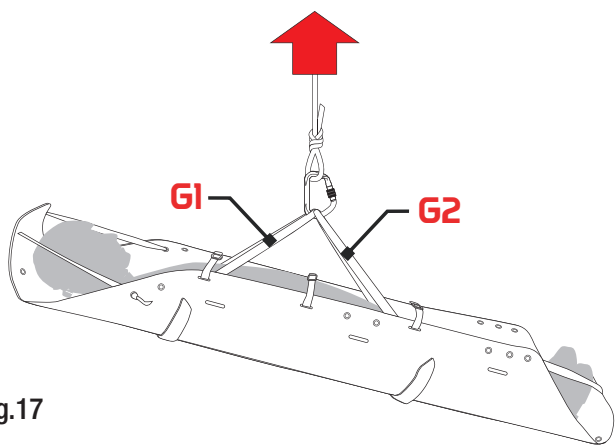


Fig.17

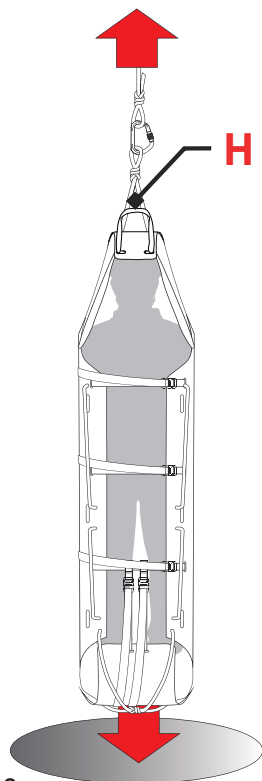


Fig.18

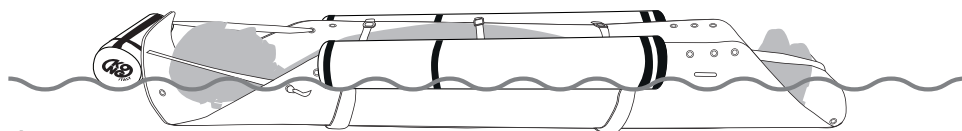


Fig.19

CAPITOLO 5

MANUTENZIONE E RIPARAZIONE

5.1 GENERALE

Il telo “**ROLLY**” è realizzato con materiali di elevata resistenza all’usura e agli agenti esterni. Nonostante ciò le condizioni di utilizzo rendono necessari interventi di manutenzione e, in casi particolari, anche di riparazione.



La manutenzione e le riparazioni devono essere registrate su apposito registro di cui si riporta un esempio nel capitolo 10.

5.2 MANUTENZIONE



Gli interventi di manutenzione che devono essere eseguiti dall’utente sono:

- a) la pulizia: lavare il dispositivo a mano in acqua tiepida (30-32°C) con detergente neutro (pH 5,5-8,5) e lasciarlo asciugare all’aria evitando l’esposizione diretta al sole e a fonti di calore,
- b) la disinfezione: strofinare con un panno pulito, bagnato in una soluzione acquosa di ipoclorito di sodio (candeggina) concentrata allo 0,1% (1000 ppm). In presenza di sangue o altri fluidi corporei la concentrazione dell’ipoclorito di sodio raccomandata è allo 0,5% (5000 ppm).

5.3 RIPARAZIONE



Le riparazioni devono essere svolte esclusivamente dal costruttore. All’utente è consentito sostituire solo le parti menzionate al paragrafo 3.3.2 con nuove e originali.

CAPITOLO 6

6 IMMAGAZZINAMENTO

Dopo la pulitura, l'eventuale disinfezione e l'asciugatura, immagazzinare il dispositivo e i suoi componenti opzionali in un luogo asciutto (umidità relativa 40-90%), fresco (temperatura 5-40°C) e scuro (evitate le radiazioni U.V.), chimicamente neutro (evitate assolutamente ambienti salini e/o acidi), lontano da spigoli taglienti, fonti di calore, umidità, sostanze corrosive o altre possibili condizioni pregiudizievoli.



Non immagazzinare questo dispositivo bagnato!

CAPITOLO 7

CONTROLLI ISPEZIONI E REVISIONI

7.1 CONTROLLI

Prima e dopo ogni utilizzo è necessario controllare il dispositivo ed assicurarsi che:

- sia idoneo per l'uso a cui lo si vuole destinare,
- non abbia subito deformazioni meccaniche e non presenti cricche o segni di usura,
- le parti tessili non presentino tagli, bruciature, residui di prodotti chimici, eccessiva peluria, usura, in particolare verificare le zone in contatto con i componenti metallici,
- le marcature, comprese le etichette, siano leggibili.

7.2 ISPEZIONI

L'ispezione del dispositivo deve essere effettuata con frequenza almeno annuale, a partire dalla data di primo utilizzo, da personale competente formato e autorizzato da KONG S.p.A. La data di primo utilizzo e l'esito delle ispezioni devono essere registrati sul Registro Ispezioni e Revisioni, di cui si riporta un esempio nel capitolo 10.

7.3 REVISIONI

La revisione del dispositivo deve essere effettuata da KONG S.p.A., o da personale competente formato e autorizzato dalla stessa, qualora:

- si rilevino malfunzionamenti,
- l'esito dei controlli pre e post uso o delle ispezioni sia negativo.

L'esito delle revisioni deve essere registrato sul Registro Ispezioni e Revisioni, di cui si riporta un esempio nel capitolo 10.

Il dispositivo revisionato è garantito per un anno dalla data di revisione.

CAPITOLO 8

DURATA E GARANZIA

8.1 DURATA

Leggere attentamente il paragrafo “Avvertenze e limitazioni d’uso” al capitolo 2. La durata di questo dispositivo è determinata dall’esito delle ispezioni almeno annuali (paragrafo 7.2) e dalle eventuali revisioni.



La sospendita, anche se non utilizzata, deve essere sostituita dopo 10 anni dal primo utilizzo e comunque non oltre 12 anni dalla data di fabbricazione.

8.2 SMALTIMENTO

Per un corretto smaltimento ci si deve attenere alle regole vigenti nel paese di utilizzo o alle procedure di smaltimento rifiuti della struttura ospedaliera di riferimento.

8.3 GARANZIA

Il fabbricante garantisce la conformità del dispositivo alle norme vigenti al momento della produzione. La garanzia per vizi è limitata ai difetti delle materie prime e di fabbricazione, non comprende la normale usura, l’ossidazione, i danni provocati da uso non conforme e/o in competizioni, da non corretta manutenzione, trasporto, conservazione o immagazzinamento, ecc... La garanzia decade immediatamente nel caso vengano apportate modifiche o manomissioni al dispositivo. La validità corrisponde alla garanzia legale del paese in cui è stato venduto il dispositivo, a decorrere dalla data di vendita, da parte del fabbricante. Decorso tale termine nessuna pretesa potrà essere avanzata nei confronti del fabbricante. Qualsiasi richiesta di riparazione o sostituzione in garanzia dovrà essere accompagnata da una prova di acquisto. Se il difetto è riconosciuto, il fabbricante si impegna a riparare o, a sua discrezione, a sostituire o rimborsare il dispositivo. In nessun caso la responsabilità del fabbricante si estende oltre il prezzo di fattura del dispositivo.

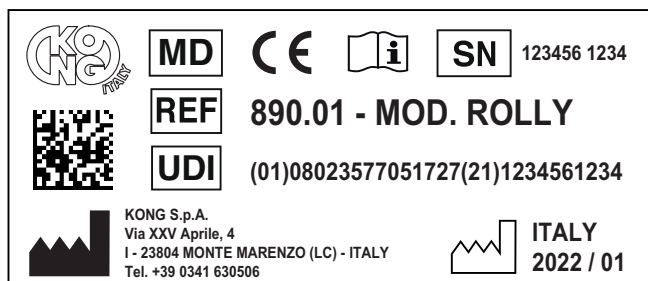
8.4 OBBLIGHI DI LEGGE

Le attività professionali e del tempo libero sono sovente regolate da apposite leggi nazionali che possono imporre limiti e/o obblighi all’utilizzo di questi dispositivi. E’ obbligo dell’utilizzatore conoscere ed applicare tali leggi che potrebbero prevedere limiti differenti da quanto riportato in queste informazioni.

CAPITOLO 9

ETICHETTATURA E SIMBOLOGIA

9.1 ETICHETTATURA DEL DM

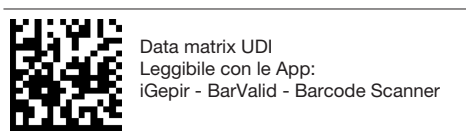


Eventuali variazioni nella disposizione della simbologia non modificano i contenuti.

9.2 SIMBOLOGIA

Identificazione e rintracciabilità

	Dispositivo medico
	Codice identificativo del prodotto
	Identificativo Unico del Dispositivo
	Identificazione del fabbricante
	Numero di serie
	Paese, anno e mese di produzione



Data matrix UDI
Leggibile con le App:
iGepir - BarValid - Barcode Scanner

Informazione e sicurezza

	Consultare il manuale d'uso
	Conforme al Regolamento (EU) 2017/745

CAPITOLO 10

DOCUMENTI

10.1 REGISTRO ISPEZIONI E REVISIONI

BARELLA - DM di classe I				
REF.	890.01	MOD.	ROLLY	
UDI-DI	08023577051727	SN		
Data primo utilizzo				
ISPEZIONI E REVISIONI				
DATA	I/R	Descrizione	Esito	Responsabile

10.2 REGISTRO MANUTENZIONI E RIPARAZIONI

TELO DA SOCCORSO - DM di classe I				
REF.	890.01	MOD.	ROLLY	
UDI-DI	08023577051727	SN		
Data primo utilizzo				
MANUTENZIONI E RIPARAZIONI				
DATA	M/R	Descrizione	Esito	Responsabile

10.3 DICHIARAZIONE DI CONFORMITÀ UE

La Dichiarazione di Conformità UE è scaricabile da www.kong.it



KONG s.p.a.

via XXV Aprile, 4 | 23804 Monte Marengo (LC) - ITALY | tel +39 0341.630506 | info@kong.it



certified UNI EN ISO 9001

DICHIARAZIONE DI CONFORMITÀ UE EU DECLARATION OF CONFORMITY

Il fabbricante
Manufacturer:

Ragione sociale:
Company: **KONG S.p.A.**

Sede legale:
Registered office: **Via XXV Aprile, 4 - 23804 Monte Marengo (LC)**

Numero di registrazione unico:
Single registration number: **IT-MF-000027905**
IT-MF-000027905

Dichiara sotto la propria ed unica responsabilità che il dispositivo:
Declares under its sole responsibility that the device:

Nome Commerciale:
Commercial name: **ROLLY**

UDI-DI di Base:
Basic UDI-DI: **8023577STRETCHERSQP**

EMDN **V08050199 – Barelle per il trasferimento di pazienti - altre**
V08050199 - Stretchers for the transfer of patients - others

Destinazione d'uso
Intended use: **Barella per il trasporto dei pazienti durante operazioni di soccorso**
Stretcher for transporting patients during rescue operations

è conforme al Regolamento (UE) 2017/745
complies with (EU) Regulation 2017/745

Classificazione:
Classification: **Classe I (All. VIII regola 1)**
Class I (Ann. VIII rule 1)

Procedimento di valutazione della conformità:
Conformity evaluation procedure: **All. II e III**
Ann. II and III

Monte Marengo, 31/08/2022

KONG S.p.A.
Il Legale Rappresentante
The legal representative
Dott. Marco Bonaiti

Modulo in revisione 1 del 01/12/2021 / Revision form 1 of 01/12/2021

Cap. Soc. € 2.000.000,00 | C.C.I.A.A. Lecco REA 165758 | Reg. Imprese di Lecco 00703180166 | P.IVA (VAT): IT 00703180166 | SDI code: DXEBYTP

www.kong.it

11.1 NORME APPLICATE

- EN 597-1: 2015
Mobili - Verifica dell'accendibilità dei materassi e delle basi del letto imbottite - Parte 1: Sorgente di accensione sigaretta in combustione lenta
- EN 1865-1: 2010 + A1: 2015
Attrezzature per il trasporto dei pazienti utilizzate nelle autoambulanze - Parte 1: Sistemi generali di barelle e attrezzature per il trasporto dei pazienti
- EN 62366-1: 2015 + A1: 2020
Dispositivi medici - Applicazione dell'ingegneria delle caratteristiche utilizzative ai dispositivi medici.
- EN ISO 846:2019
Materie plastiche - Valutazione dell'azione dei microorganismi
- EN ISO 10993-1: 2020
Valutazione biologica dei dispositivi medici - Parte 1: Valutazione e prove all'interno di un processo di gestione del rischio
- EN ISO 10993-5: 2009
Valutazione biologica dei dispositivi medici - Parte 5: Prove per la citotossicità in vitro
- EN ISO 10993-23: 2021
Valutazione biologica dei dispositivi medici - Parte 23: Prove di irritazione
- EN ISO 14971: 2019
Dispositivi medici - Applicazione della gestione dei rischi ai dispositivi medici.
- EN ISO 15223-1: 2021
Dispositivi medici - Simboli da utilizzare con le informazioni che devono essere fornite dal fabbricante - Parte 1: Requisiti generali.
- EN ISO 20417: 2021
Dispositivi medici - Informazioni fornite dal fabbricante

11.2 NORME UTILIZZATE COME RIFERIMENTO

- EN ISO 13485: 2016
Dispositivi medici - Sistemi di gestione della qualità - Requisiti per scopi regolamentari
- EN 13718-1: 2014 + A1: 2020
Veicoli medici e loro attrezzatura - Ambulanze aeree - Parte 1: Requisiti per i dispositivi medici utilizzati nelle ambulanze aeree

KONG s.p.a.

Via XXV Aprile, 4 - (zona industriale)

I - 23804 MONTE MARENZO (LC) - ITALY

Tel +39 0341630506 - Fax +39 0341641550

www.kong.it

Y0100000YBK